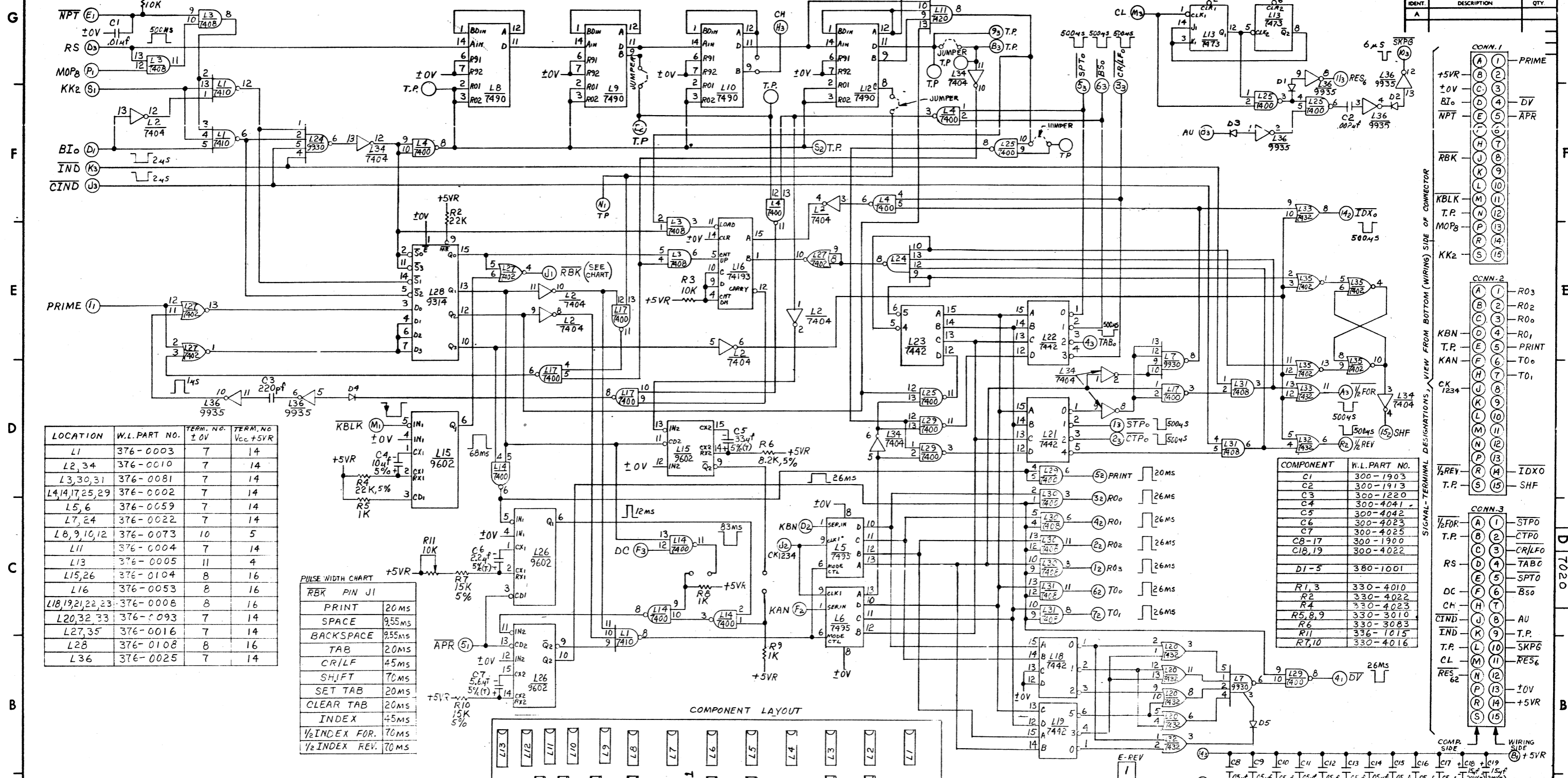


THIS DOCUMENT IS THE PROPERTY OF WANG LABORATORIES, INC. AND SHALL NOT BE REPRODUCED OR COPIED, OR USED AS A BASIS FOR THE MANUFACTURE OR SALE OF APPARATUS OR DEVICES WITHOUT PERMISSION.

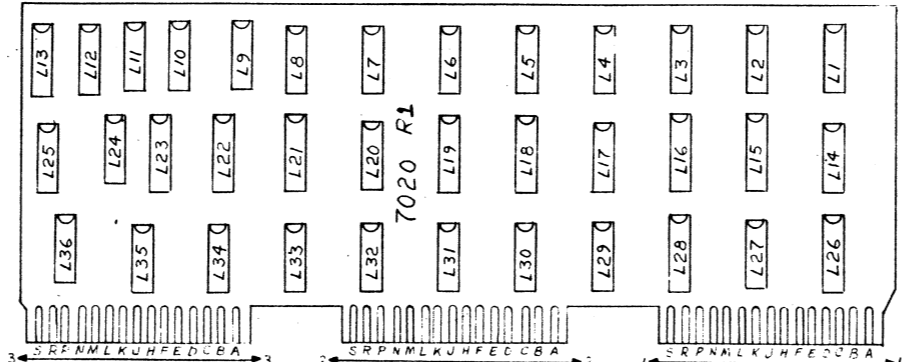
HOLE LEGEND		
DRILLED OR PUNCHED HOLE	HOLE DIA	TOL
	0135 to .125	±.001
	126 to 250	±.001
	251 to 500	±.001



LOCATION	W.L. PART NO.	TERM. NO. ±0V	TERM. NO. Vcc +5VR
L1	376-0003	7	14
L2,34	376-0010	7	14
L3,30,31	376-0081	7	14
L4,14,17,25,29	376-0002	7	14
L5,6	376-0059	7	14
L7,24	376-0022	7	14
L8,9,10,12	376-0073	10	5
L11	376-0004	7	14
L13	376-0005	11	4
L15,26	376-0104	8	16
L16	376-0053	8	16
L18,19,21,22,23	376-0008	8	16
L20,32,33	376-0093	7	14
L27,35	376-0016	7	14
L28	376-0108	8	16
L36	376-0025	7	14

PULSE WIDTH CHART

RBK PIN J1	PRINT	SPACE	BACKSPACE	TAB	CR/LF	SHIFT	SET TAB	CLEAR TAB	INDEX	1/2 INDEX FOR.	1/2 INDEX REV.
20MS	9.55MS	9.55MS	2.0MS	45MS	70MS	20MS	20MS	20MS	45MS	70MS	70MS



COMPONENT	W.L. PART NO.
C1	300-1903
C2	300-1913
C3	300-1220
C4	300-4041
C5	300-4042
C6	300-4023
C7	300-4025
C8-17	300-1900
C18,19	300-4022
D1-5	380-1001
R1,3	330-4010
R2	330-4022
R4	330-4023
R5,8,9	330-3010
R6	330-3083
R11	336-1015
R7,10	330-4016

WANG PART NO.	ITEM	QTY.	NAME	MATERIAL	DESCRIPTION
210-7020	1	1	SCHEMATIC LOGIBLOC TELECOMMUNICATIONS TYPEWRITER OUTPUT TIMING		

REVISION	DATE	BY	DESCRIPTION
1	10-15-75	AK	ORIGINAL DWR
2	11-15-75	AK	REVISED FOR PCB
3	12-15-75	AK	REVISED FOR PCB

