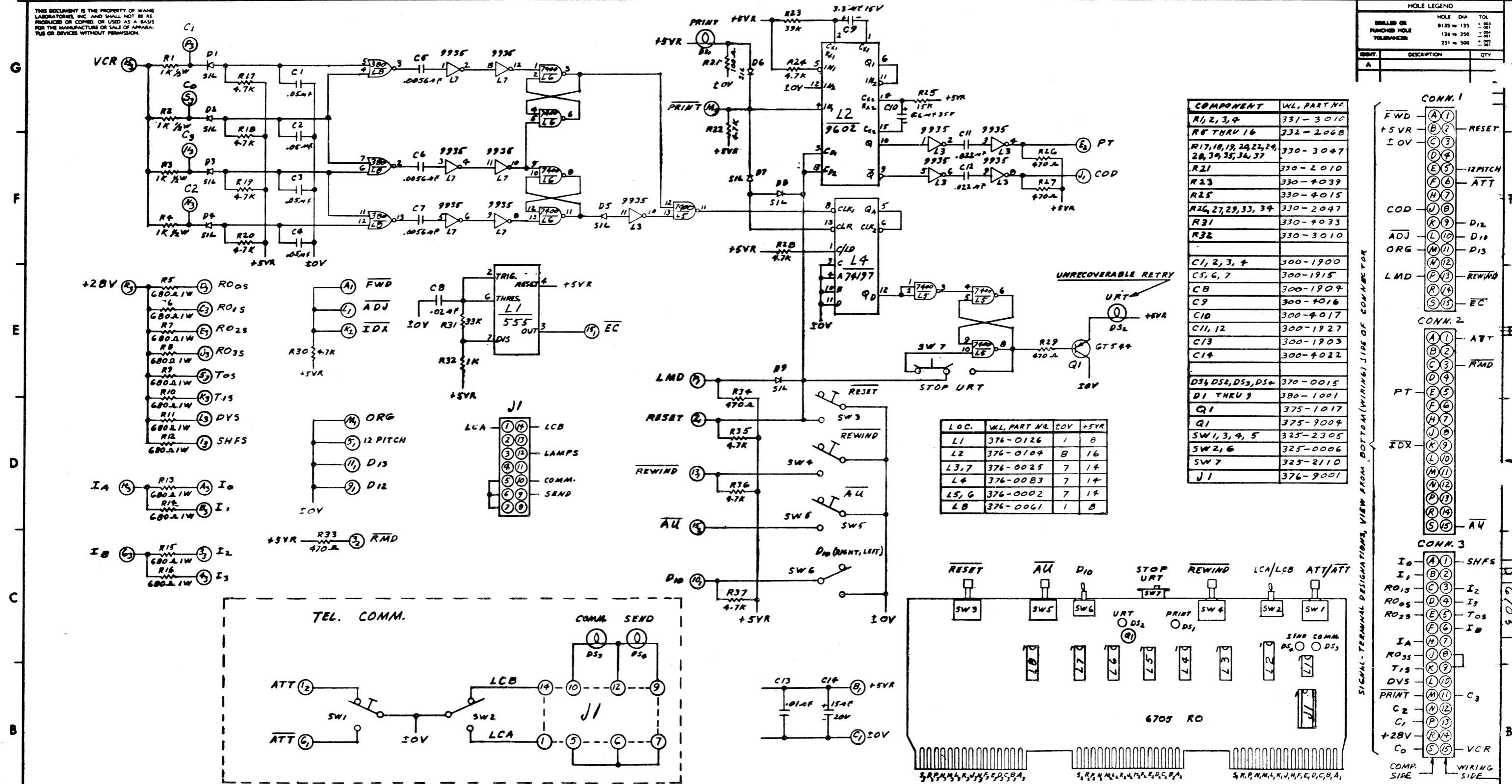


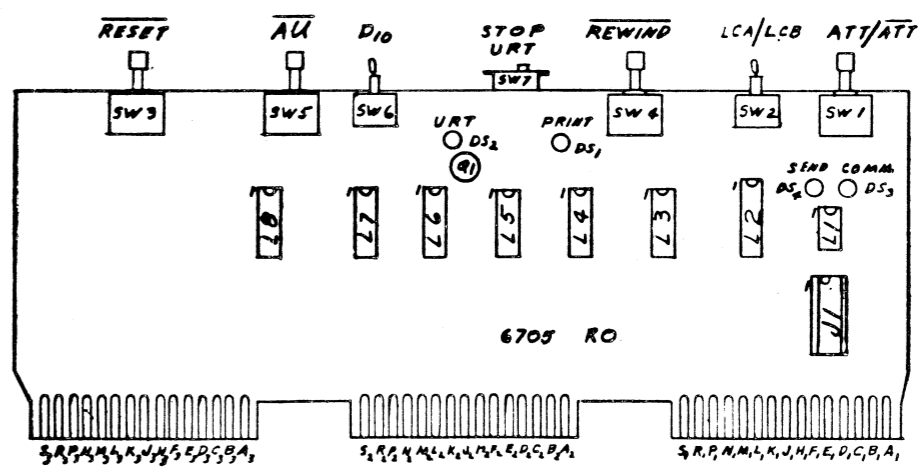
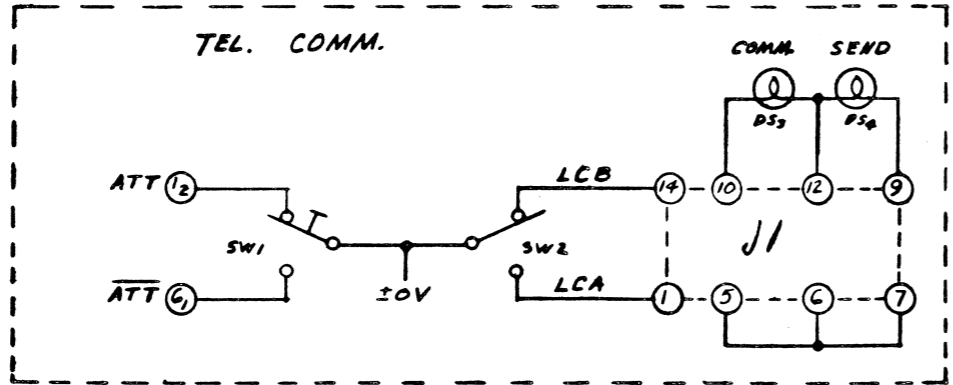
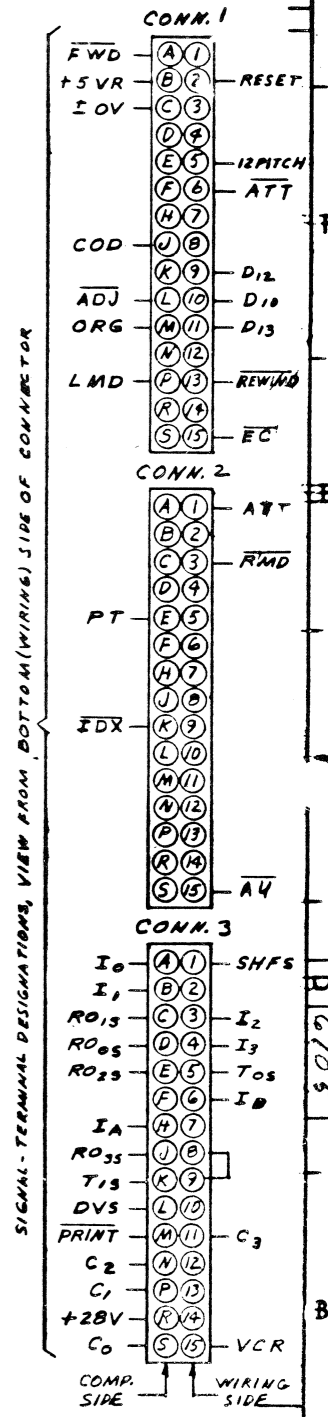
THIS DOCUMENT IS THE PROPERTY OF WANG LABORATORIES, INC. AND SHALL NOT BE REPRODUCED OR COPIED OR USED AS A BASIS FOR THE MANUFACTURE OR SALE OF APPARATUS OR DEVICES WITHOUT PERMISSION.

HOLE LEGEND		
DRILLED OR PUNCHED HOLE TOLERANCE:	HOLE DIA	TOL
	0.135 to 1.25	± .001
	1.26 to 2.50	± .001
	2.51 to 500	± .001
IDENT.	DESCRIPTION	QTY
A		



COMPONENT	W/L PART NO.
R1, 2, 3, 4	331-3010
R5 THRU 16	332-206B
R17, 18, 19, 20, 22, 24, 28, 30, 35, 36, 37	330-3047
R21	330-2010
R23	330-4039
R25	330-4015
R26, 27, 29, 33, 34	330-2047
R31	330-4033
R32	330-3010
C1, 2, 3, 4	300-1900
C5, 6, 7	300-1915
C8	300-1909
C9	300-4016
C10	300-4017
C11, 12	300-1927
C13	300-1903
C14	300-4022
DS1, DS2, DS3, DS4	370-0015
D1 THRU 9	380-1001
Q1	375-1017
Q1	375-9004
SW1, 3, 4, 5	325-2305
SW2, 6	325-0006
SW7	325-2110
J1	376-9001

LOC.	W/L PART NO.	10V	+5V
L1	376-0126	1	8
L2	376-0104	8	16
L3, 7	376-0025	7	14
L4	376-0083	7	14
L5, 6	376-0002	7	14
L8	376-0061	1	8



REVISION	DATE	BY	REASON
1	1-4-75
2	1-15-75

WANG PART NO.	ITEM	QTY	N.A.M.E.	MATERIAL	DESCRIPTION
210-6705	D	6705	C		

BY	DATE	APPROVED BY	DATE
...

TITLE	WANG PART NUMBER	SIZE	DRAWING NUMBER	REV.
SCHEMATIC LOGIC LOG SIMULATOR	210-6705	D	6705	C