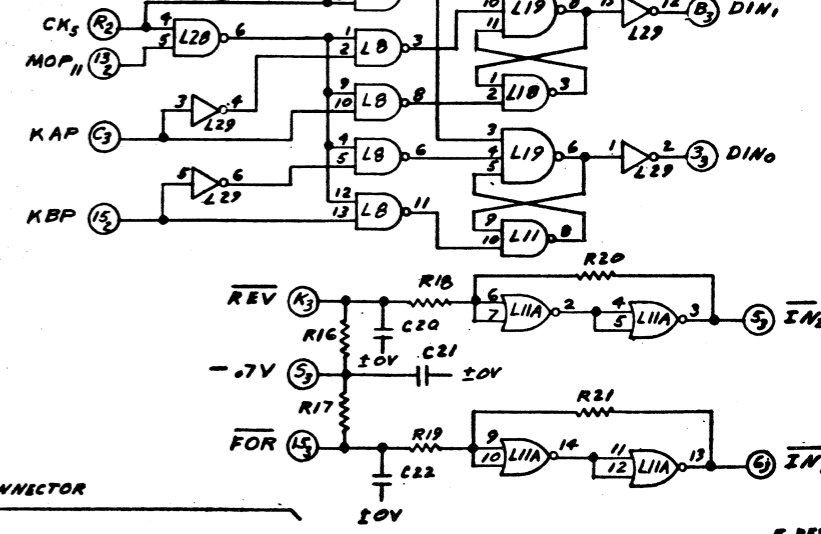
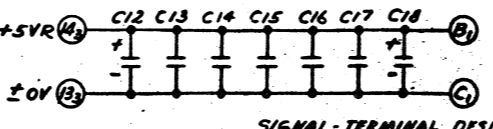


LOCATION	TYPE	W.L. No.	PIN. No. ±5V	PIN. No. ±10V	QTY
L1,2,3,4,15,24	9930	376-0022	7	14	6
L5,19	SN7410N	376-0003	7	14	2
L6,16,24,25,26,29	SN7404N	376-0010	7	14	6
L7,8,9,11,14,18,27	SN7400N	376-0002	7	14	7
L10,12,6	SN7473N	376-0005	11	4	2
L12	9936	376-0026	7	14	1
L13,17	9937	376-0108	8	16	2
L20, L1A	9935	376-0025	7	14	2
L23	SN7402N	376-0016	7	14	1
L25,28	SN7408N	376-0001	7	14	2
L30	SN7406N	376-0055	7	14	1
L31,23A	SN7414N	376-0139	7	14	2
L1A	3P30A	376-0061	1	8	1

COMPONENT	SIZE/TY	W.L. No.	QTY	
R1,2,3,4,5,6,7	10K	44W	330-4010	10
B,9,15	560Ω	44W	330-2056	2
R18,19	2.2K	44W	330-3022	2
R13,14	6.8K	44W	330-3068	2
R20,21	220Ω	1/4W	330-3022	2
C1,2,3,4,5,6,7	470 PF	CER	300-1470	7
C7,8,9,10,11,23,24	560 PF	CER	300-1560	7
C12,18	154PF20V TANT		300-0022	2
C13,14,15,16,17,21	.05 MF	CER	300-1900	6
C20,22	.01 MF	CER	300-1903	2
R10,11,12	220Ω	1/4W	330-2022	3
D1,2,3,4,5,6,7,8,9,10,11,12,13,14,15,16,17,18,19,20,21,22,23,24,25	DIODE SIL.	380-1001-4B	25	
R16,17	2.7K	44W	330-3027	2



REVISION	M.F.	DATE	BY	REVISION	M.F.	DATE	BY
1	...	...	...	1	...	...	...
2	...	...	...	2	...	...	...
3	...	...	...	3	...	...	...
4	...	...	...	4	...	...	...
5	...	...	...	5	...	...	...
6	...	...	...	6	...	...	...
7	...	...	...	7	...	...	...
8	...	...	...	8	...	...	...
9	...	...	...	9	...	...	...
10	...	...	...	10	...	...	...
11	...	...	...	11	...	...	...

WANG LABORATORIES INC.  
TEWKSBURY, MASS.  
MODEL NO. 1222  
DRAWN 12-27-74  
APP. 5/1/74  
4-9-74  
TITLE SCHEMATIC, LOGIBLOC 6519  
INPUT DECODING  
DWT 4 5 D 6519