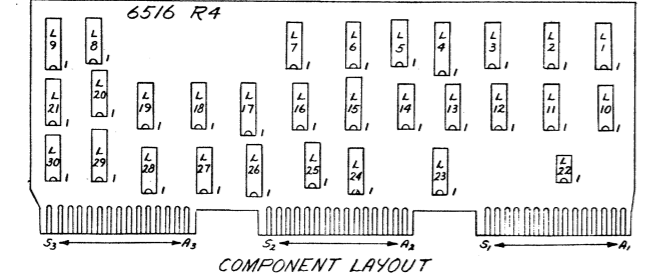
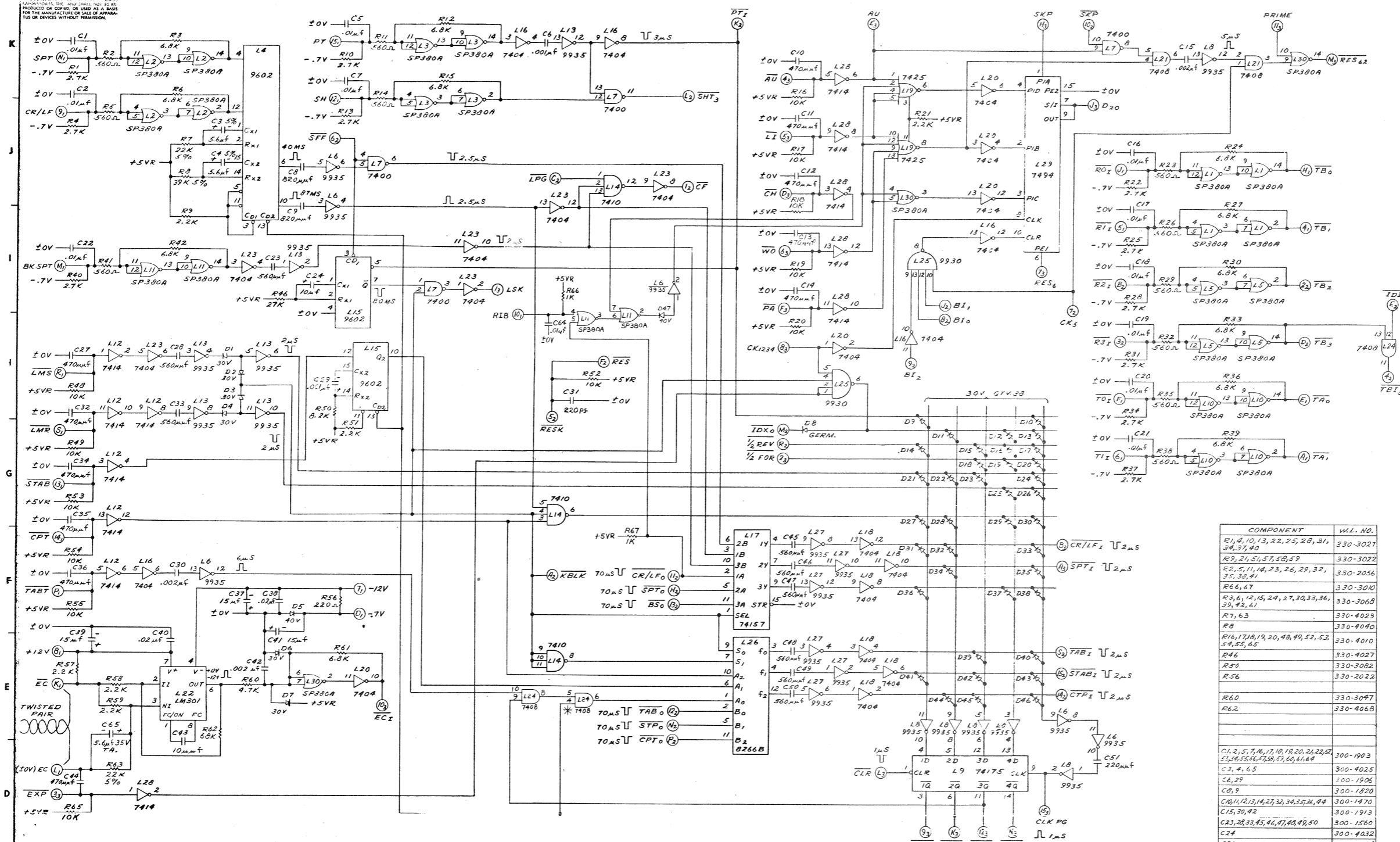


THIS DOCUMENT IS UNCLASSIFIED
EXCEPT WHERE SHOWN OTHERWISE
IT IS THE PROPERTY OF THE U.S. GOVERNMENT
AND IS NOT TO BE DISTRIBUTED OUTSIDE
THE U.S. GOVERNMENT



* NOTE: UP TO R3, I.C. 24 WAS WIRED PINS 1, 2, 4, 3.

I.C. LOCATION	TERM. FOR	TERM. FOR	W.L. NO.
	±0V	VCC +5V	
L1, 2, 3, 5, 10, 11, 30	1	8	376-0061
L4, 15	6	16	376-0104
L6, 8, 13, 27	7	14	376-0025
L7	7	14	376-0002
L9	8	16	376-0119
L12, 28	7	14	376-0139
L14	7	14	376-0003
L16, 18, 20, 23	7	14	376-0010
L17	8	16	376-0082
L19	8	16	376-0092
L21, 24	7	14	376-0081
L22	4	12V	376-0164
L25	7	14	376-0022
L26	8	16	376-0091
L29	12	5	376-0064

COMPONENT	W.L. NO.
R1, 4, 10, 13, 22, 25, 28, 31, 34, 37, 40	330-3027
R2, 21, 51, 57, 58, 59	330-3022
R2, 5, 11, 14, 23, 26, 29, 32, 35, 38, 41	330-2056
R6, 6, 7	330-3010
R3, 6, 12, 15, 24, 27, 30, 33, 36, 39, 42, 61	330-3068
R7, 63	330-4023
R8	330-4040
R16, 17, 18, 19, 20, 48, 49, 52, 53, 54, 55, 65	330-4010
R46	330-4027
R50	330-3082
R56	330-2022
R60	330-3047
R62	330-4068
C1, 2, 5, 7, 8, 10, 19, 20, 21, 22, 52, 54, 55, 56, 57, 58, 59, 60, 61, 64	300-1903
C3, 4, 6, 5	300-4025
C6, 29	300-1906
C8, 9	300-1820
C10, 11, 12, 13, 14, 27, 32, 34, 35, 36, 44	300-1470
C15, 30, 42	300-1913
C23, 28, 33, 45, 46, 47, 48, 49, 50	300-1560
C24	300-4032
C31	300-1220
C37, 39, 41, 62, 63	300-4022
C38, 40	300-1904
C43	300-1010
C51	300-1220
D1, 2, 3, 4, 6, 9, 9-#6	380-1001
D5, 47	380-1004
D8	380-0000

CONN. 1	TERM. NO.	SIGNAL
(A) 1	(A) 1	TA ₁
(B) 2	(B) 2	±5V
(C) 3	(C) 3	±0V
(D) 4	(D) 4	-12V
(E) 5	(E) 5	TA ₂
(F) 6	(F) 6	TI ₁
(G) 7	(G) 7	TI ₂
(H) 8	(H) 8	±0V
(J) 9	(J) 9	CR/LF
(K) 10	(K) 10	RES ₁
(L) 11	(L) 11	EC
(M) 12	(M) 12	RIB
(N) 13	(N) 13	BK SPT
(O) 14	(O) 14	SPT
(P) 15	(P) 15	TABT
(Q) 16	(Q) 16	STAB
(R) 17	(R) 17	LMS
(S) 18	(S) 18	CPT
(T) 19	(T) 19	LMB
(U) 20	(U) 20	PT
CONN. 2	TERM. NO.	SIGNAL
(A) 1	(A) 1	CF
(B) 2	(B) 2	TB ₂
(C) 3	(C) 3	R3I
(D) 4	(D) 4	TB ₃
(E) 5	(E) 5	TB ₄
(F) 6	(F) 6	RESK
(G) 7	(G) 7	RES
(H) 8	(H) 8	CK5
(J) 9	(J) 9	BI ₀
(K) 10	(K) 10	BI ₁
(L) 11	(L) 11	BI ₂
(M) 12	(M) 12	SKP
(N) 13	(N) 13	CR/LF ₀
(O) 14	(O) 14	TAB ₀
(P) 15	(P) 15	TAB ₁
(Q) 16	(Q) 16	CTP ₁
(R) 17	(R) 17	STAB ₁
CONN. 3	TERM. NO.	SIGNAL
(A) 1	(A) 1	LSK
(B) 2	(B) 2	±1/2 FOR
(C) 3	(C) 3	EXP
(D) 4	(D) 4	AU
(E) 5	(E) 5	±1/2
(F) 6	(F) 6	WO
(G) 7	(G) 7	RES ₁
(H) 8	(H) 8	CK1234
(J) 9	(J) 9	DATA ₁
(K) 10	(K) 10	DATA ₂
(L) 11	(L) 11	DATA ₃
(M) 12	(M) 12	DATA ₄
(N) 13	(N) 13	±0V
(P) 14	(P) 14	±5V
(R) 15	(R) 15	CLK PG

WANG PART NO.	ITEM	QTY	NAME	MATERIAL	DATE	APPROVED BY	DATE
BY: [Signature]	BY: [Signature]	DATE: 4/23/68	ENGR: [Signature]				
TITLE: SCHEMATIC 6516 R4							
MODEL NO: 122							
SCALE: 1:1							
DRAWING NUMBER: 6516							
REV: 9							