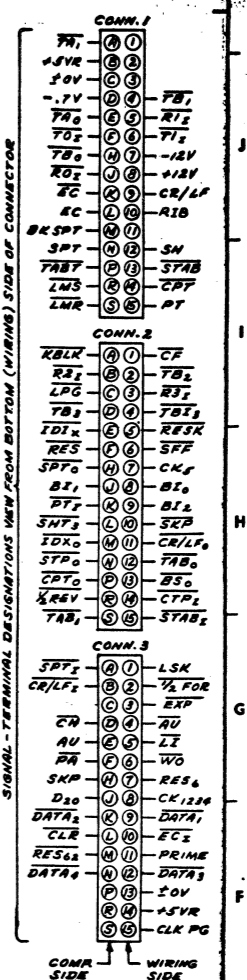
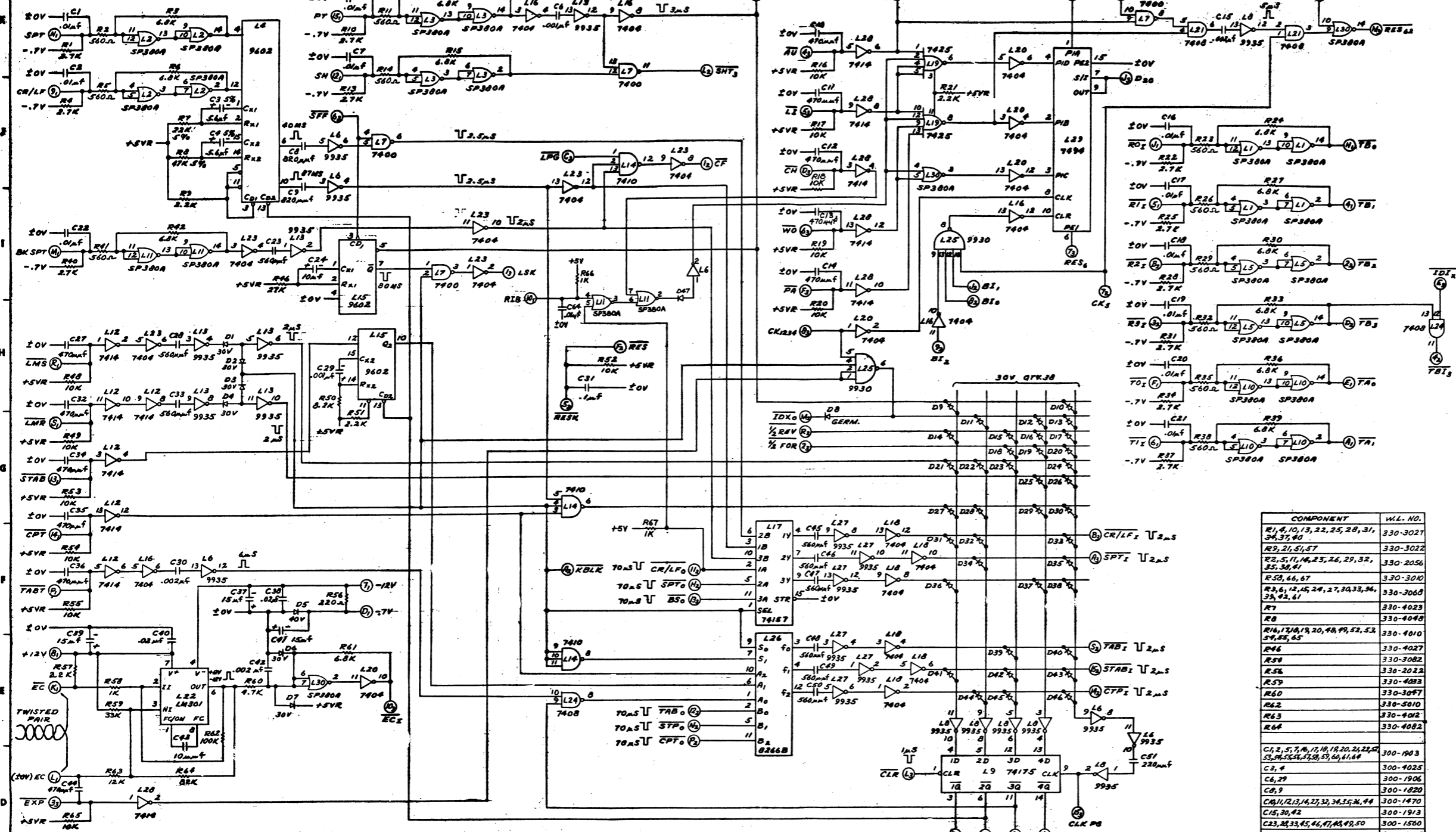
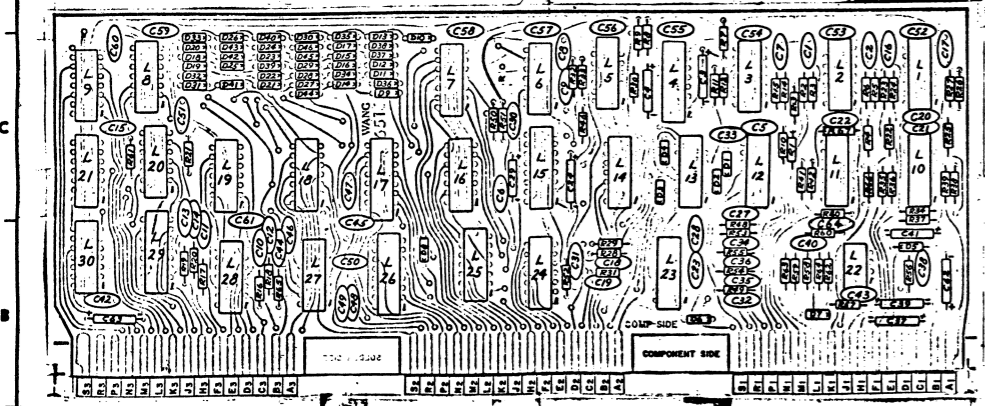


THIS DOCUMENT IS THE PROPERTY OF WANG LABORATORIES, INC. AND SHALL NOT BE REPRODUCED OR TRANSMITTED IN ANY FORM OR BY ANY MEANS, ELECTRONIC OR MECHANICAL, INCLUDING PHOTOCOPYING, RECORDING, OR BY ANY INFORMATION STORAGE AND RETRIEVAL SYSTEM, WITHOUT PERMISSION.

REV.	DESCRIPTION	DATE
1	INITIAL DESIGN	11/15/61
2	REVISIONS	11/15/61
3	REVISIONS	11/15/61
4	REVISIONS	11/15/61
5	REVISIONS	11/15/61



COMPONENT	W.L. NO.
R1, 4, 10, 13, 22, 25, 28, 31, 34, 37, 40	330-3027
R2, 21, 51, 57	330-3022
R2, 5, 11, 16, 23, 26, 29, 32, 35, 38, 41	330-2056
R32, 66, 67	330-3010
R3, 6, 12, 15, 24, 27, 30, 33, 36, 39, 42, 45	330-3068
R7	330-4023
R8	330-4044
R16, 17, 18, 19, 20, 48, 49, 52, 53, 54, 55, 65	330-4010
R46	330-4027
R59	330-3002
R56	330-2022
R57	330-4023
R59	330-3047
R62	330-5010
R63	330-4022
R64	330-4022
C1, 2, 5, 7, 8, 17, 18, 19, 20, 21, 22, 23, 24, 25, 26, 27, 28, 29, 30, 31, 32, 33, 34, 35, 36, 37, 38, 39, 40, 41, 42	300-1903
C3, 4	300-4025
C6, 29	300-1906
C9, 9	300-1820
C10, 11, 12, 13, 14, 27, 30, 31, 32, 33, 34, 35, 36, 37	300-1470
C15, 30, 42	300-1913
C23, 24, 33, 45, 46, 47, 48, 49, 50	300-1500
C24	300-4032
C31	300-1901
C37, 39, 41, 62, 63	300-4022
C38, 40	300-1904
C13	300-1010
C87	300-1220
D1, 2, 3, 4, 6, 7, 9-16	300-1001
D5, 17	300-1004
D8	300-0060



Z.C. LOCATION	TERM. FOR 20V	TERM. FOR 5V	W.L. NO.
L1, 2, 3, 5, 10, 11, 30	1	8	376-0061
L4, 18	8	16	376-0104
L6, 8, 13, 27	7	14	376-0025
L7	7	14	376-0002
L9	8	16	376-0119
L12, 28	7	14	376-0139
L14	7	14	376-0003
L16, 18, 20, 23	7	14	376-0010
L17	8	16	376-0023
L19	8	16	376-0092
L21, 24	7	14	376-0081
L22	PIN 4 -V	PIN 7 +V	376-0166
L25	7	14	376-0023
L26	8	16	376-0041
L29	12	5	376-0069

WANG PART NO.	ITEM	QTY	NAME	MATERIAL	DESCRIPTION
1222	1	1	SCHEMATIC LOGIBLOC #6516 TYPEWRITER INPUT CIRCUIT		

WANG LABORATORIES, INC. MODEL NO. 1222

DATE APPROVED BY: [Signature]

DATE: 11/15/61

DESCRIPTION: SCHEMATIC LOGIBLOC #6516 TYPEWRITER INPUT CIRCUIT

SCALE: 1/8" = 1"

DRAWING NUMBER: 6516-1

REV.	DESCRIPTION	DATE
1	INITIAL DESIGN	11/15/61
2	REVISIONS	11/15/61
3	REVISIONS	11/15/61
4	REVISIONS	11/15/61
5	REVISIONS	11/15/61