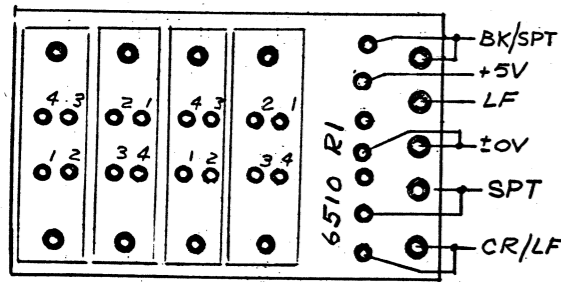
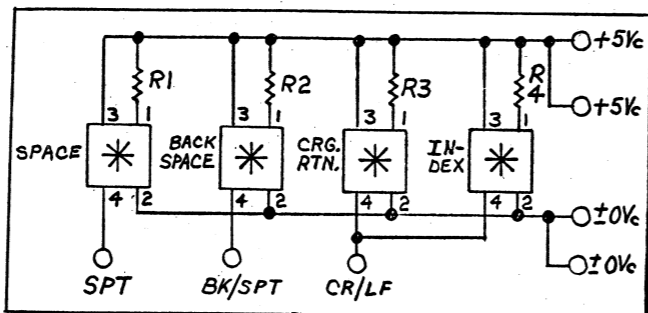


DO NOT SCALE



COMPONENT LAYOUT



COMPONENT	SIZE/TYPE	W.L. PART NO.	QTY.
R1,2,3,4	120Ω 1/4W	330-2012	4
H13.B1	PHOTO TSTR	375-2103	4

E.REV. 1

WANG LABORATORIES, INC.
TEWKSBURY, MASS. U. S. A.

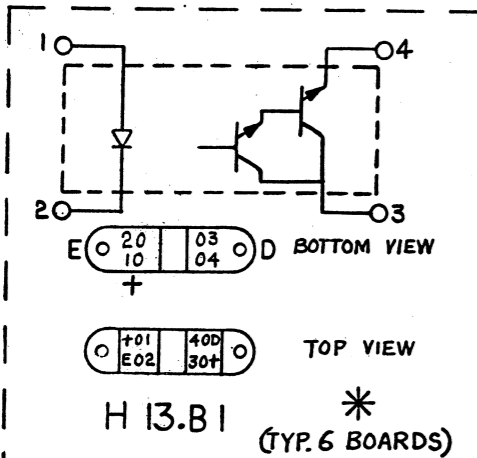
MODEL NO.	DRAWN	CHK	DATE	APPD	BY	DATE
1222	GR	GR	12-10-73	APPD	JPL	5-21-74
	CHECKED			APPD		

TITLE SCHEMATIC LOGIBLOC 6510
SPECIAL FUNCTION BOARD

W.O. NO.	SCALE	DWG. NO.	REV
	A	6510-1	2

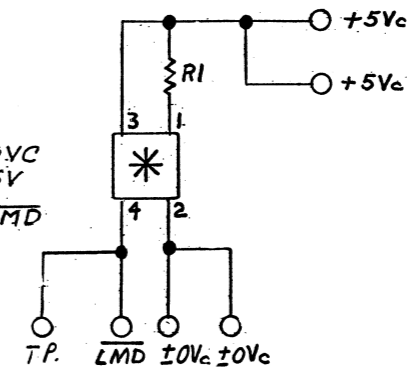
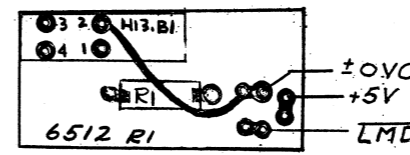
EBA
3-27-74
REVISED PER
1/ RFA # 1102
2/ ECN # 4322
3/ APP'D: JPL

EBA
3-27-74
REVISED PER
1/ RFA # 1102
2/ ECN # 4322
3/ APP'D: JPL



DO NOT SCALE

No.	REVISION	BY
1/0	REVISED PER RFA 0973. APP'D JPL	EBA
2/0	REVISED PER RFA # 1101 APP'D JPL	EBA
3/1	REVISED PER ECN # 4322 APP'D JPL	EBA



COMPONENT	SIZE/TYPE	W.L. PART NO.	QTY.
R1	120Ω 1/4W	330-2012	1
H13.B1	PHOTO TSTR	375-2103	1

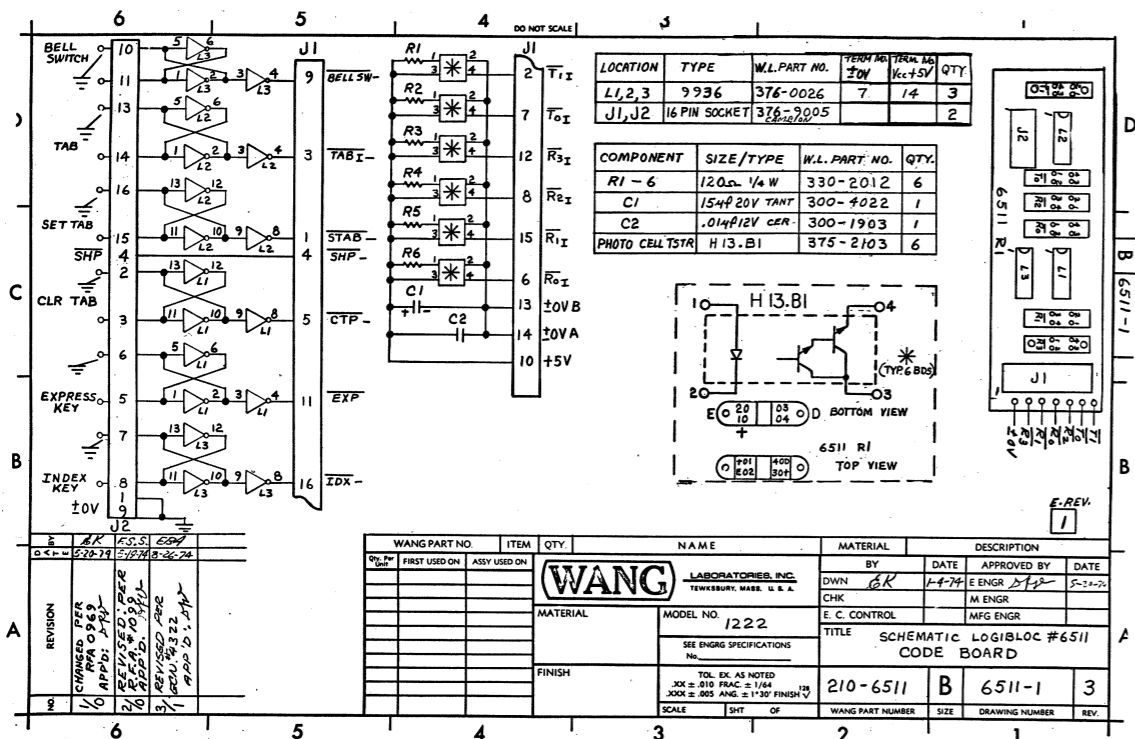
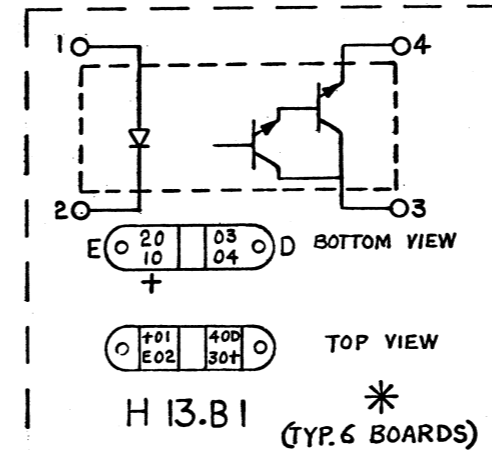
E.REV. 1

WANG LABORATORIES, INC.
TEWKSBURY, MASS. U. S. A.

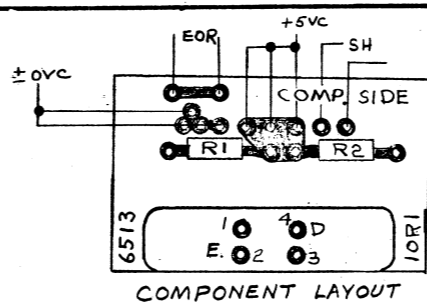
MODEL NO.	DRAWN	CHK	DATE	APPD	BY	DATE
1222	GR	GR	12-10-73	APPD	JPL	5-21-74
	CHECKED			APPD		

TITLE SCHEMATIC LOGIBLOC #6512
HOME POSITION

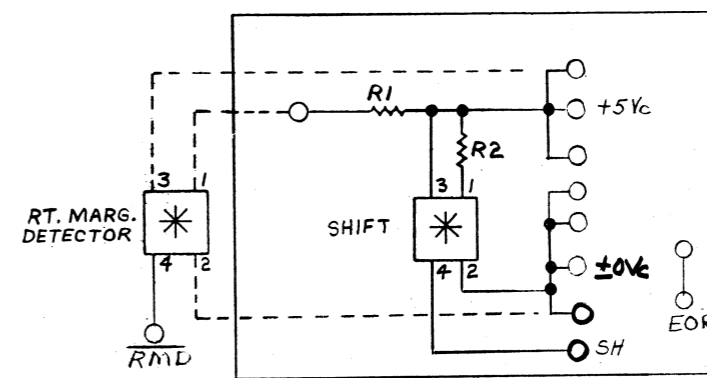
W.O. NO.	SCALE	DWG. NO.	REV
	A	6512-1	3



RA
1-24-74
REVISED PER
1/ RFA # 1102
2/ ECN # 4322
3/ APP'D: JPL

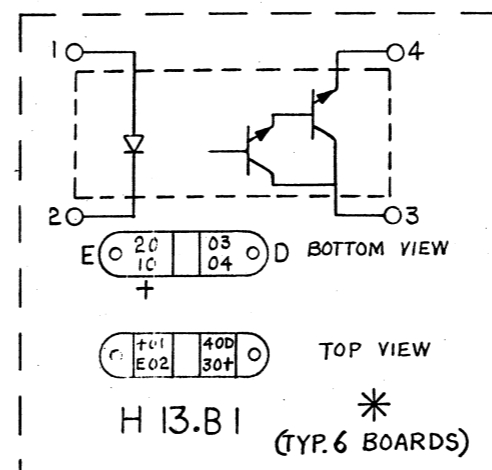


COMPONENT LAYOUT



COMPONENT	SIZE/TYPE	W.L. PART NO.	QTY.
R1, R2	120Ω 1/4W	330-2012	2
H13.B1	PHOTO TSTR.	375-2103	1

E.REV. 1



WANG LABORATORIES, INC.
TEWKSBURY, MASS. U. S. A.

MODEL NO.	DRAWN	CHK	DATE	APPD	BY	DATE
1222	GR	GR	12-7-73	APPD	JPL	5-20-74
	CHECKED			APPD		

TITLE SCHEMATIC LOGIBLOC #6513
SHIFT CIRCUIT

W.O. NO.	SCALE	DWG. NO.	REV
	A	6513	2