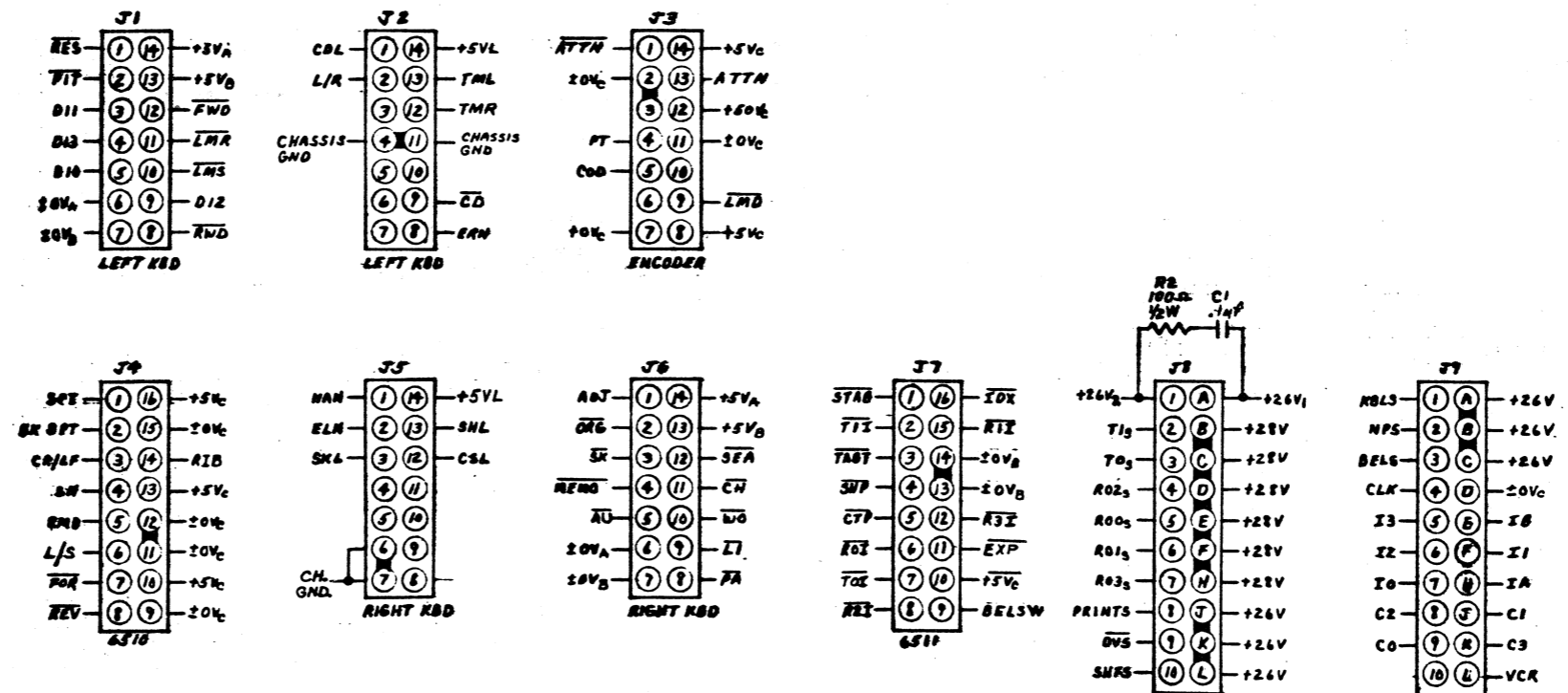
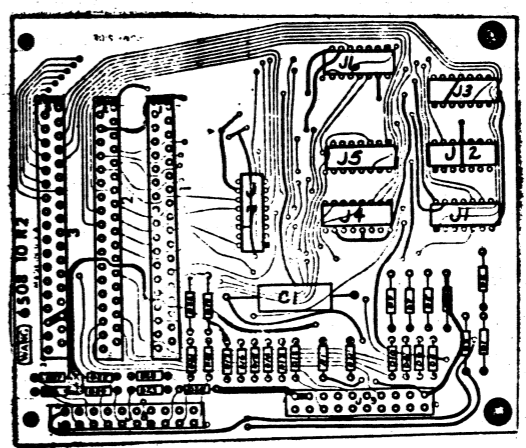
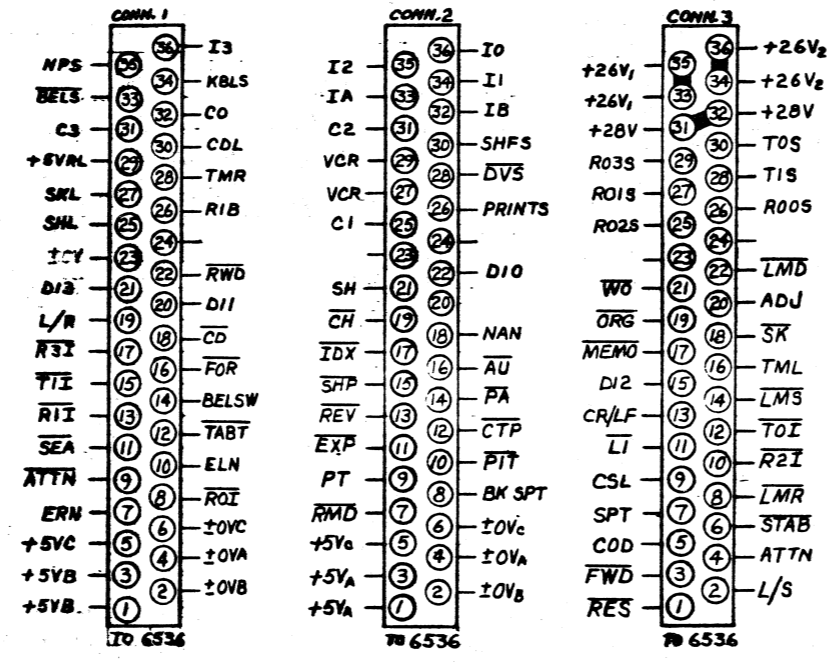
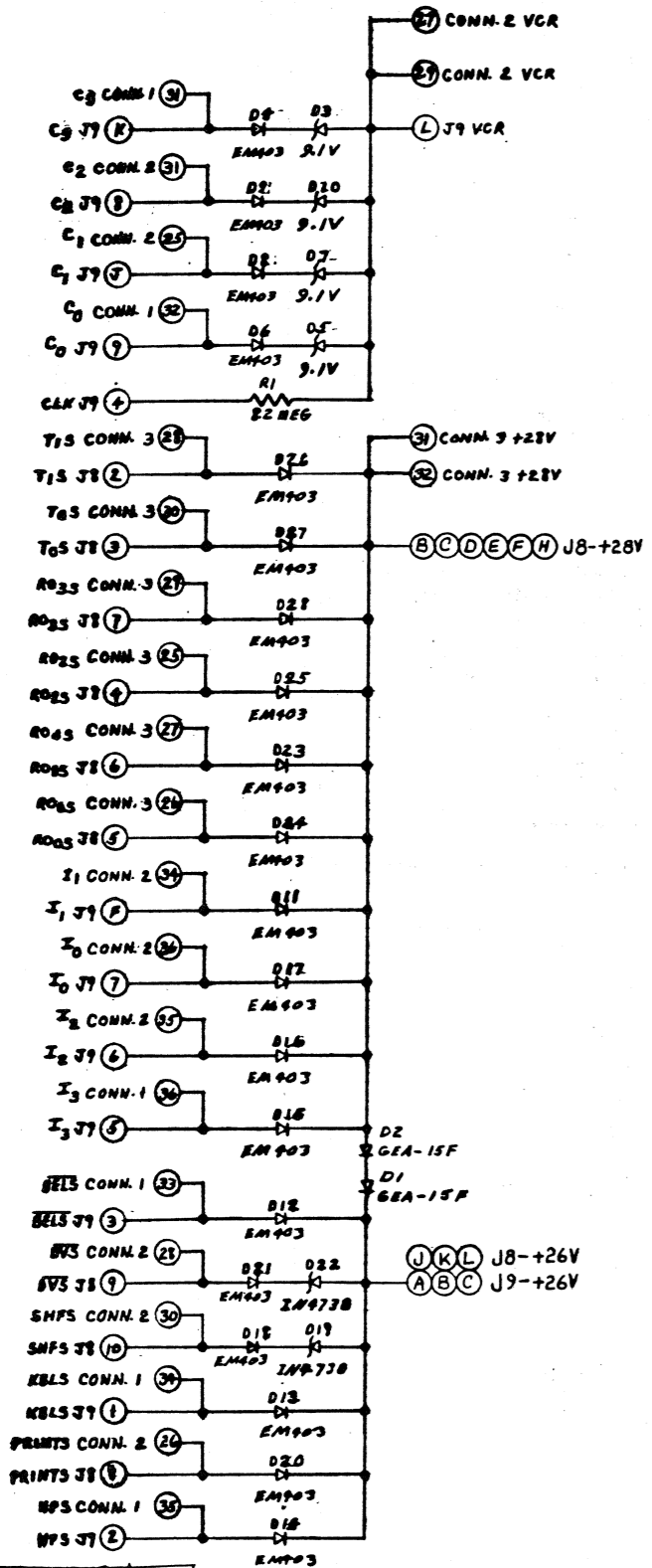


G
F
E
D
C
B
A



QTY	PART NO.	DESCRIPTION	REV.
1	510-6508	6508 PC BOARD	1
2	380-2082-1	1N4736 8.2V 1W ZENER D	2
4	1-207-1	91V 5W ZENER D	3
2	1-3004	GEA-15F RECTIFIER	4
20	380-4003	EM 403 RECTIFIER HI-VOLT.	5
2	376-9005	16 PIN SOCKET CAMBION	6
5	376-9012	14 PIN SOCKET CAMBION	7
2	350-0028	225-21021-110 PC CONN	8
3	350-0401B	36 PIN FLAT CABLE CONN B	9
1	300-2310	1.5 400V MYLAR C	10
1	331-2010	100 Q 1/4W 10% RES	11
1	330-6082	R 2 M Q 1/4W 10% RES	12
1		D6508-1 SCHEMATIC	13
1		6508-1	14
1		210-6508-2-2	15

REV.	DATE	BY	APP.
1	5-18-74	J.P.	
2	7-22-74	J.P.	
3	11-22-74	J.P.	

WANG LABORATORIES INC.
 TEWKSBURY, MASS.

MODEL NO. 1222
 DRAWN BY: J.P.
 CHECKED BY: J.P.
 DATE: 3/25/74
 APP. BY: J.P.
 TITLE: SCHEMATIC LOGIC BOARD #6508
 CABLE JUNCTION BOARD

REV. 4 OF 5
 D 6508-1
 3