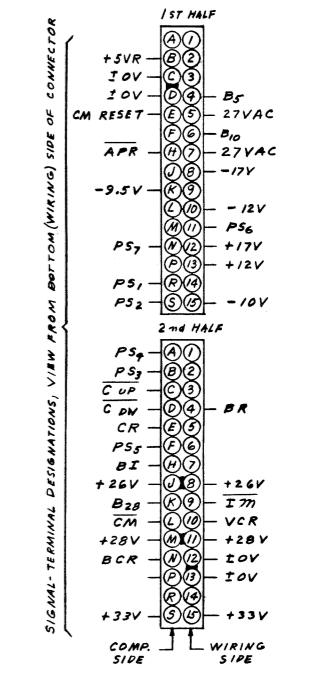
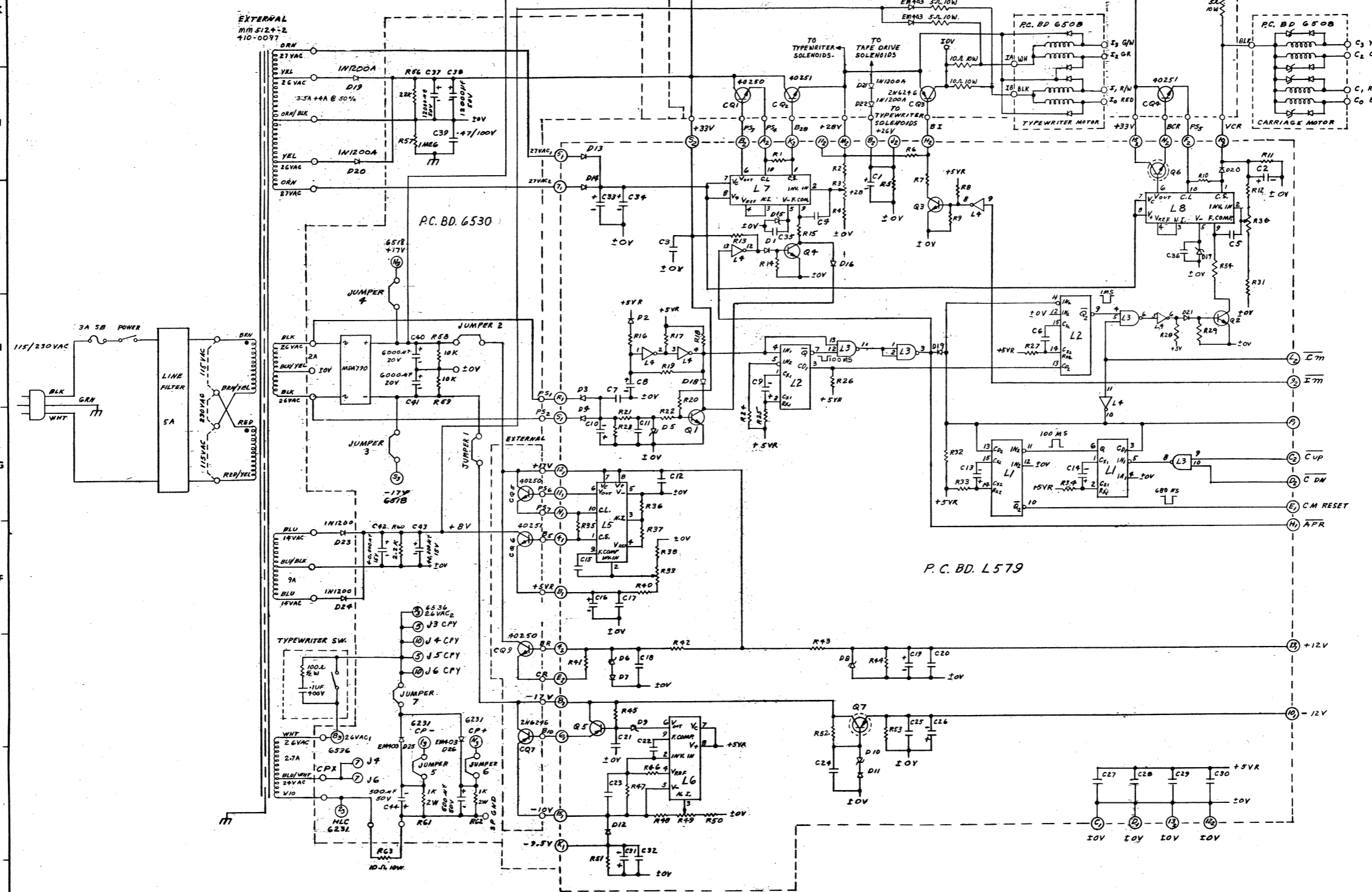
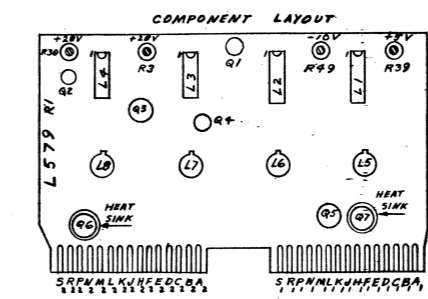


THIS DOCUMENT IS THE PROPERTY OF WANG LABORATORIES, INC. AND SHALL NOT BE REPRODUCED OR COPIED OR USED AS A BASIS FOR THE MANUFACTURE OR SALE OF APPROXIMATE OR DEVICES WITHOUT PERMISSION.

| HOLE LEGEND | | |
|-------------------------|--------------|-------|
| DRILLED OR PUNCHED HOLE | HOLE DIA. | TOL. |
| DRILLED OR PUNCHED HOLE | 0.135 - 1.25 | ±0.01 |
| DRILLED OR PUNCHED HOLE | 1.25 - 2.50 | ±0.02 |
| DRILLED OR PUNCHED HOLE | 2.51 - 5.00 | ±0.03 |



| COMPONENT | SIZE/TYPE | W.L. NO. | QTY |
|----------------------------|----------------|----------|-----|
| R1, 3F | 1/4 W 1/2 W | 331-0010 | 2 |
| R2, 12, 23 | 5/8 W 1/2 W | 330-3056 | 3 |
| R3, 30, 33, 43 | 1/4 W 1/2 W | 336-1016 | 4 |
| R5, 11 | 1/2 W 1 W | 332-3012 | 2 |
| R6, 42, 52 | 100 Ω 1/2 W | 331-2012 | 2 |
| R7 | 560 Ω 1/2 W | 337-2056 | 1 |
| R8, 24, 26, 32, 35, 51 | 1 K 1/2 W | 330-3010 | 6 |
| R9, 21 | 470 Ω 1/2 W | 330-2047 | 2 |
| R10 | 2.2 K 1/2 W | 334-0017 | 1 |
| R13, 19 | 6.8 K 1/2 W | 330-3068 | 2 |
| R14, 64 | 220 Ω 1/2 W | 330-2022 | 2 |
| R15, 36, 38, 26, 54 | 2.2 K 1/2 W | 330-3022 | 5 |
| R16 | 100 Ω 1/2 W | 330-2010 | 1 |
| R17, 18, 22, 44, 45, 53 | 10 K 1/2 W | 330-4010 | 6 |
| R19 | 22 K 1/2 W | 330-4022 | 1 |
| R22 | 33 K 1/2 W | 330-4033 | 1 |
| R27 | 2.7 K 1/2 W | 330-4027 | 1 |
| R40 | 680 Ω 1/2 W | 330-2068 | 1 |
| R34 | 47 K 1/2 W | 330-4047 | 1 |
| R37 | 2.7 K 1/2 W | 330-3027 | 1 |
| R43 | 82 Ω 1 W | 332-1082 | 1 |
| R44, 48, 31, 4 | 3.9 K 1/2 W | 330-3039 | 4 |
| R47 | 3.3 K 1/2 W | 330-3033 | 1 |
| R50 | 8.2 K 1/2 W | 330-3082 | 1 |
| R51 | 39 K 1/2 W | 330-4039 | 1 |
| C1, 2, 3, 3, 4 | 50 nF 50V | 300-3010 | 4 |
| C3, 7, 12 | 0.1 μF 50V | 300-2110 | 3 |
| C5 | 470 pF | 300-4470 | 1 |
| C6 | 1 μF 35V TANT | 300-4002 | 1 |
| C8 | 1 μF 35V TANT | 300-4002 | 1 |
| C9, 10 | 10 μF 35V TANT | 300-4032 | 2 |
| C11, 20, 21, 23, 24, 25, 2 | 0.1 μF 50V | 300-1003 | 7 |
| C13 | 100 pF | 300-1100 | 1 |
| C14 | 33 μF 35V TANT | 300-4033 | 1 |
| C15, 28, 29, 30, 18 | 100 nF 50V | 300-3010 | 6 |
| C16, 19, 22, 31 | 10 μF 35V TANT | 300-4032 | 4 |
| C17, 23, 32, 35, 36 | 0.5 μF 12V | 300-1000 | 5 |
| D1, 7, 11, 16, 18, 21 | DIODE SIL | 380-1004 | 6 |
| D2, 3, 5, 12, 13, 14 | EM403 | 380-4000 | 6 |
| D5, 6, 8, 10 | 1N4924SLV | 780-2121 | 4 |
| D9 | 1N749A 4.2V | 800-2042 | 1 |
| D10, 17 | 1N4171A SIL | 380-2001 | 2 |
| D11 | DIODE GERM. | 380-0000 | 1 |
| D20 | DIODE GER15 | 380-3004 | 1 |
| Q1, 2, 4 | 2N3014 | 375-0017 | 3 |
| Q3, 6 | 2N3723 | 375-1023 | 2 |
| Q5, 7 | 2N4234 | 375-1024 | 2 |
| Q6, 7 | HEAT SINK | 375-3010 | 2 |



| LOCATION | TYPE | W.L. No. | PIN No. | PIN No. | QTY |
|----------|---------|----------|---------|---------|-----|
| L1, 2 | 9602 | 376-0104 | B | 16 | 2 |
| L3 | SN74374 | 376-0068 | 7 | 14 | 1 |
| L4 | SN7406N | 376-0005 | 7 | 14 | 1 |
| L5, 6, 7 | 723A | 376-0026 | - | - | 4 |

| REVISION | DATE | BY | DESCRIPTION |
|----------|----------|------|----------------|
| 1 | 11-13-72 | M.F. | REVISED PER... |
| 2 | 11-13-72 | M.F. | REVISED PER... |
| 3 | 11-13-72 | M.F. | REVISED PER... |
| 4 | 11-13-72 | M.F. | REVISED PER... |
| 5 | 11-13-72 | M.F. | REVISED PER... |
| 6 | 11-13-72 | M.F. | REVISED PER... |
| 7 | 11-13-72 | M.F. | REVISED PER... |
| 8 | 11-13-72 | M.F. | REVISED PER... |
| 9 | 11-13-72 | M.F. | REVISED PER... |
| 10 | 11-13-72 | M.F. | REVISED PER... |
| 11 | 11-13-72 | M.F. | REVISED PER... |
| 12 | 11-13-72 | M.F. | REVISED PER... |
| 13 | 11-13-72 | M.F. | REVISED PER... |
| 14 | 11-13-72 | M.F. | REVISED PER... |
| 15 | 11-13-72 | M.F. | REVISED PER... |
| 16 | 11-13-72 | M.F. | REVISED PER... |
| 17 | 11-13-72 | M.F. | REVISED PER... |
| 18 | 11-13-72 | M.F. | REVISED PER... |
| 19 | 11-13-72 | M.F. | REVISED PER... |
| 20 | 11-13-72 | M.F. | REVISED PER... |

| WANG PART NO. | ITEM | QTY. | NAME | MATERIAL | DESCRIPTION | DATE | APPROVED BY | DATE |
|---------------|------|------|--------------------------|----------|------------------------|----------|-------------|----------|
| 1222 | | | SCHEMATIC, LOGIBLOC L579 | | POWER SUPPLY REGULATOR | 11-13-72 | M.F. | 11-13-72 |
| | | | TITLE | | | | | |
| | | | SEE ENG'G SPECIFICATIONS | | | | | |
| | | | FINISH | | | | | |
| | | | SCALE | | | | | |
| | | | WANG PART NUMBER | SIZE | DRAWING NUMBER | REV. | | |