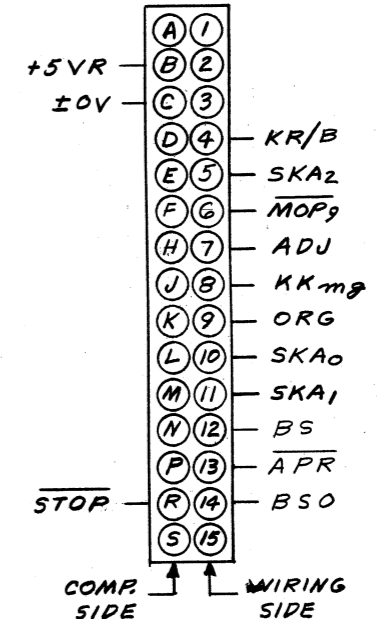
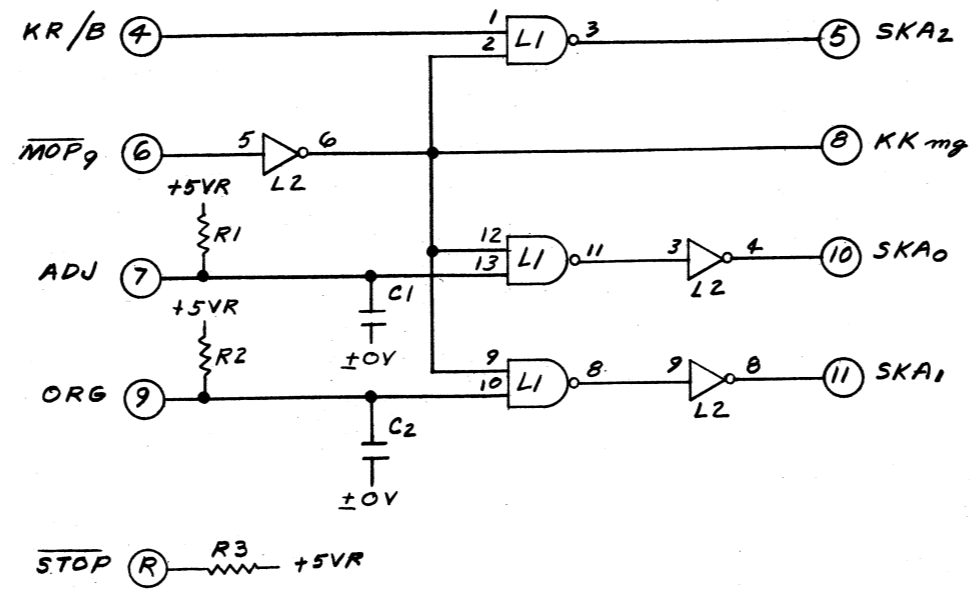
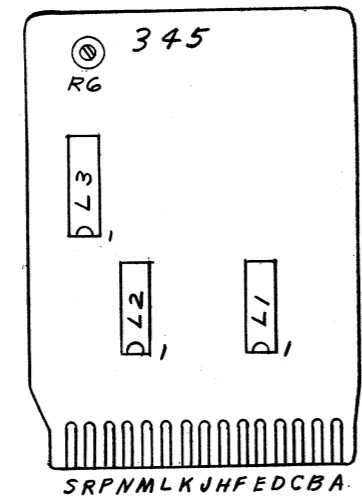


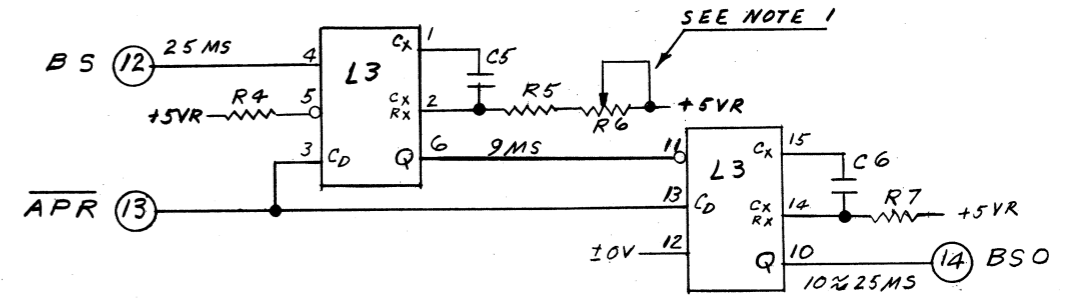
REVISIONS
 PER ECN 317B
 ADDED I.C. CIRCUIT
 8-28-72
 APP'D SKH



LOCATION	TYPE	W.L. PART NO.	TERM. V _{CC} +5VR	TERM. NO. ±0V	QTY
L1	SN7400N	376-0002	14	7	1
L2	SN7404N	376-0010	14	7	1



COMP.	SIZE/TYPE	W.L. PART NO.	QTY
R1,2,3,5	10K 1/4W	330-4010	3
R4	1K 1/4W	330-3010	1
C1,2	22 PF	300-1220	2
C3	10NF 16VDC	300-3006	1
C4	.02 MF	300-1904	1
R6	10K POT	336-1010	1
R7	15K 5% 1/4W	330-4016	1
C5	2.2MF 5% 35V	300-4027	1
C6	5.6MF 5% 35V	300-4025	1



NOTE
 1. ADJUST THE 10K POT. FOR 9MS PULSE OUT OF PIN 6

WANG LABORATORIES INC.
 TEWKSBURY, MASS.

MODEL NO. 1200	DRAWN 2/16/71	APP. 3/17/72
CHECKED		APP.

TITLE
 SCHEMATIC LOGIBLOC # 345
 KEYBOARD CONTROL

W.O. NO. 510 210-0345	DWG. NO. C 6405-1	REV. 1
--------------------------	----------------------	-----------