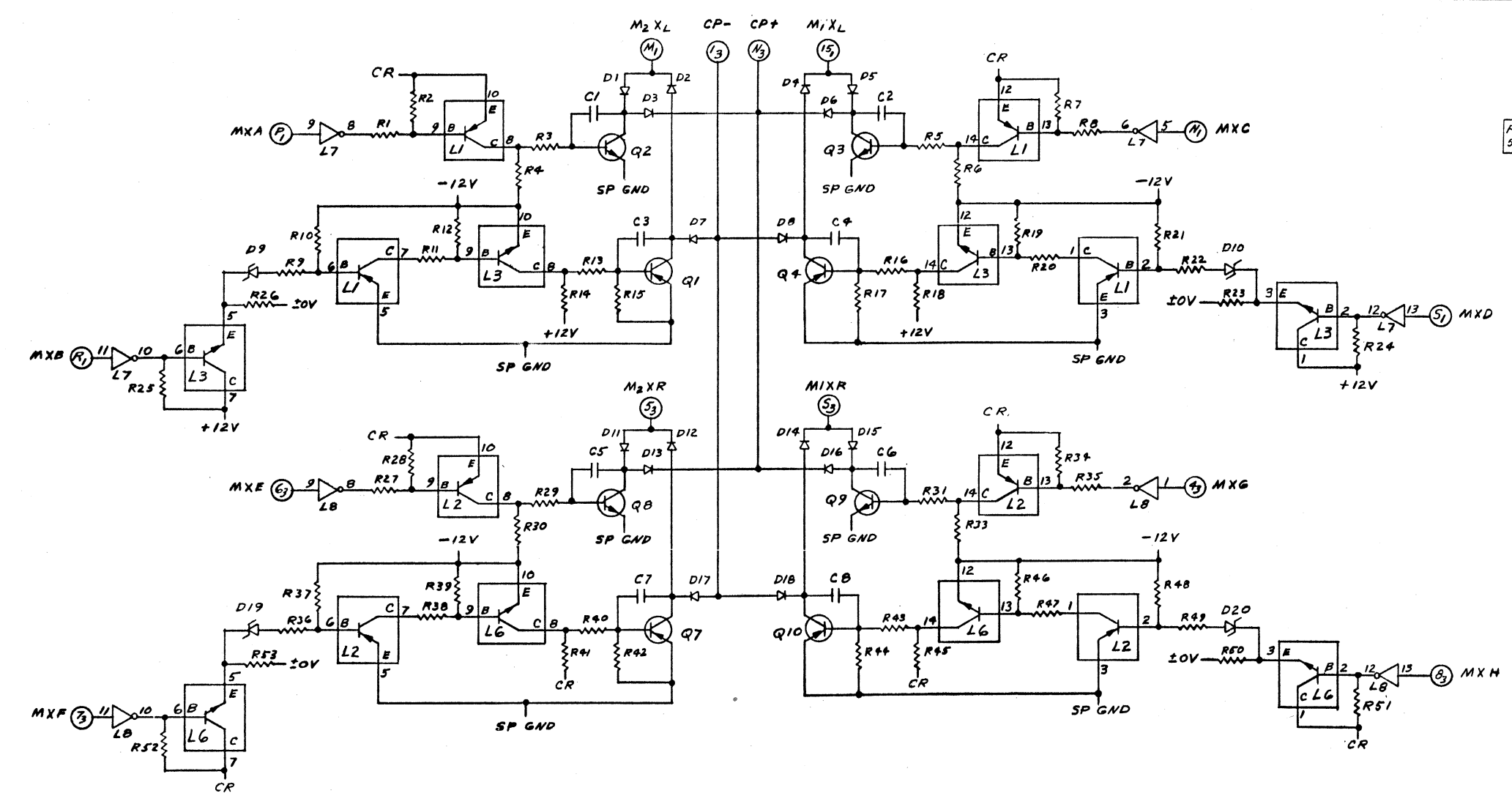
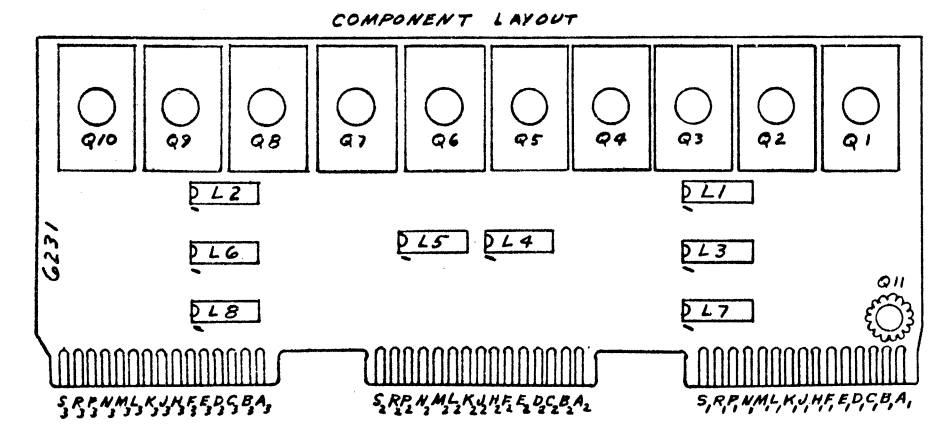
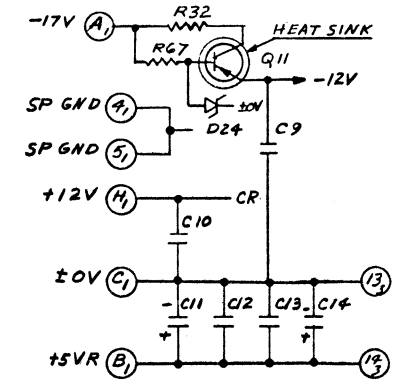


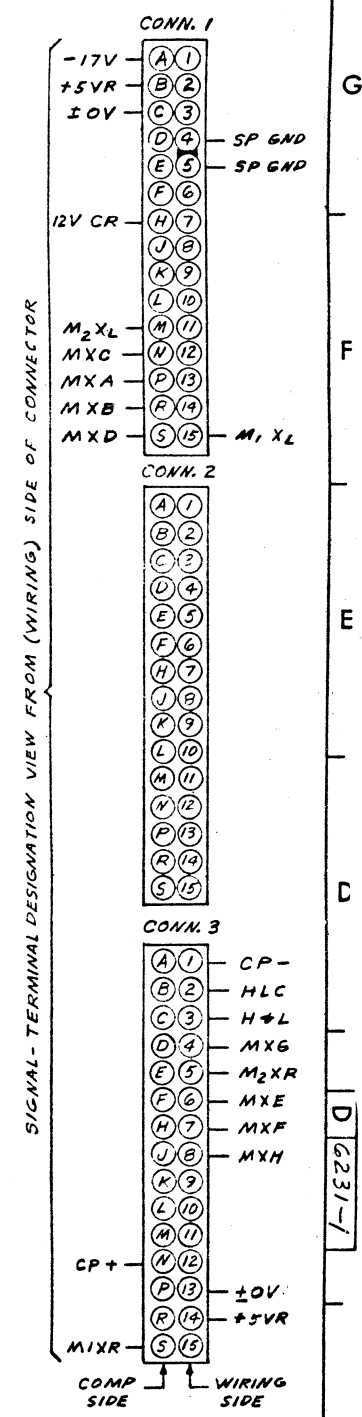
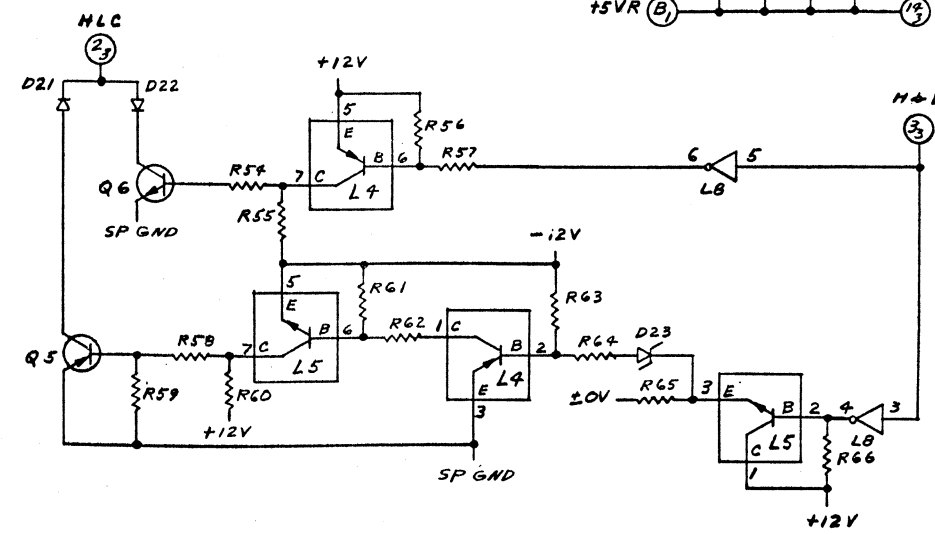
G
F
E
D
C
B
A



| COMPONENT | SIZE/TYPE | W.L. PART No. | QTY |
|---|------------|---------------|-----|
| R1, 8, 15, 17, 27, 35, 42, 49, 51, 59 | 1K 1/4W | 330-3010 | 10 |
| R2, 7, 23, 24, 25, 26, 28, 39, 50, 51, 52, 53, 56, 65, 66 | 2.2K 1/4W | 330-3022 | 15 |
| R3, 5, 29, 31, 54 | 100Ω 2W | 337-2010 | 5 |
| R4, 6, 12, 19, 30, 33, 39, 46, 55, 61 | 47K 1/4W | 330-4047 | 10 |
| R9, 22, 36, 49, 64 | 3.3K 1/4W | 330-3033 | 5 |
| R10, 14, 18, 21, 37, 44, 45, 48, 60, 63 | 10K 1/4W | 330-4010 | 10 |
| R11, 20, 38, 47, 62 | 1.2K 1/4W | 330-3012 | 5 |
| R12, 16, 40, 43, 58 | 150Ω 1W | 332-2015 | 5 |
| R32 | 33Ω 1W | 332-1033 | 1 |
| R67 | 150Ω 1/4W | 330-2015 | 1 |
| C1, 2, 3, 4, 5, 6, 7, 8 | .14F MYLAR | 300-2210 | 8 |
| C9, 10, 12, 13 | .02MF | 300-1904 | 4 |
| C11, 14 | 10MF 16VDC | 300-3006 | 2 |
| D1, 2, 3, 4, 5, 6, 7, 8, 11, 12, 13, 14, 15, 16, 17, 18, 21, 22 | EM403 | 380-4000 | 18 |
| D9, 10, 19, 20, 23 | ZENER 5.6V | 380-2056 | 5 |
| D24 | ZENER 12V | 380-2121 | 1 |
| Q1, 4, 5, 7, 10 | 2N5954 | 375-1032 | 5 |
| Q2, 3, 6, 8, 9 | 2N4050V1 | 375-1028 | 5 |
| Q11 | 2N4234 | 375-1024 | 1 |



| LOCATION | TYPE | W. L. PART No. | TERM. No. Vcc +5V | TERM. No. ±0V | QTY |
|----------|---------|----------------|-------------------|---------------|-----|
| L1, 2, 4 | FPQ3468 | | | | 3 |
| L3, 5, 6 | FPQ3725 | | | | 3 |
| L7, 8 | SN7406N | 376-0055 | 14 | 7 | 2 |



| REVISION | DATE | BY | APP'D. |
|----------|----------|----------|--------|
| 1 | 04-10-72 | W. J. B. | |
| 2 | 05-15-72 | W. J. B. | |

WANG LABORATORIES INC.
TEWKSBURY, MASS.

MODEL NO. 1200
DRAWN 2-271
CHECKED
DATE 3/2/72

TITLE SCHEMATIC LOGIBLOC #6231 TAPE MOTOR CONTROL

SHT OF DWG. NO. D 6231-1