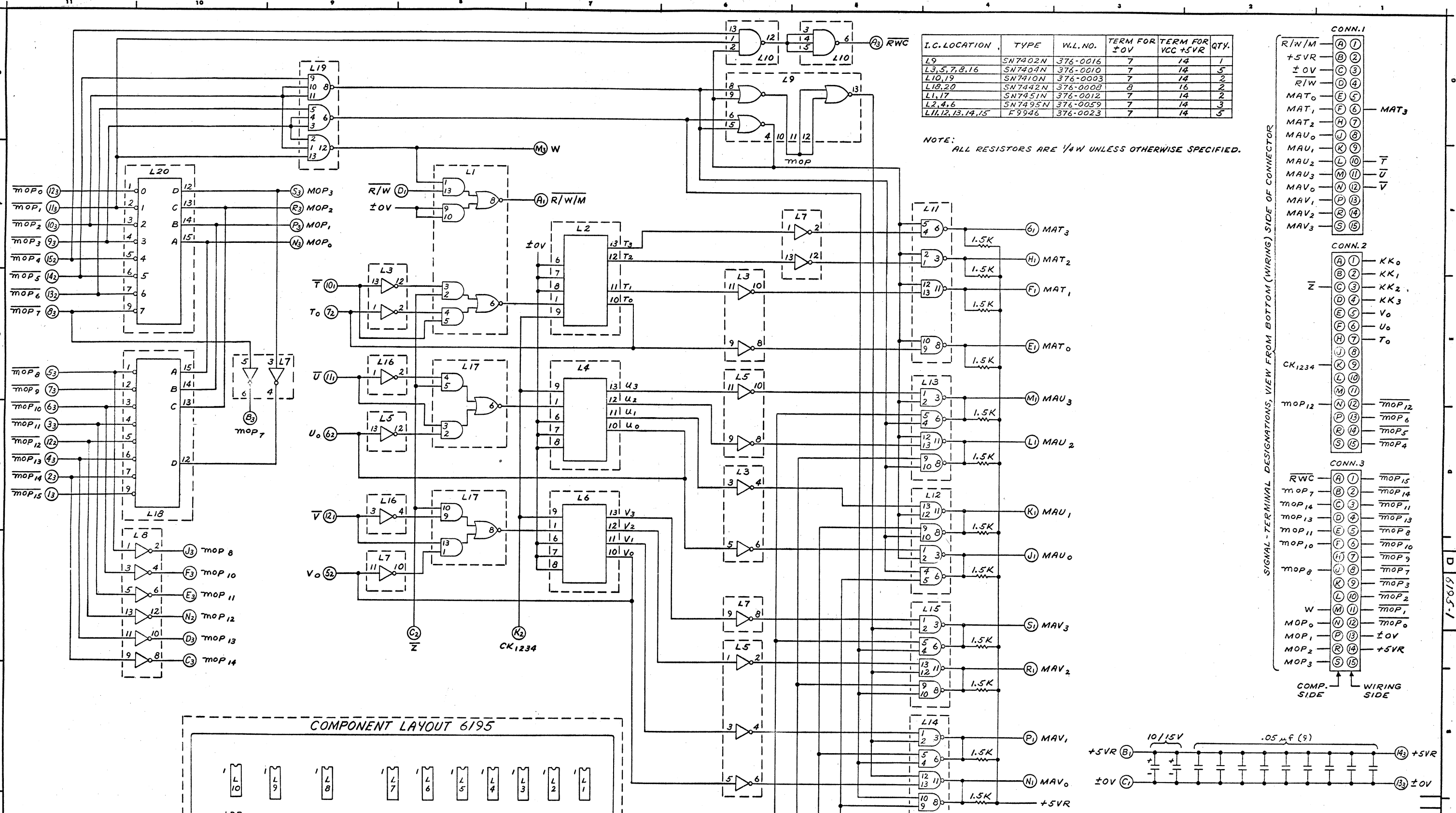
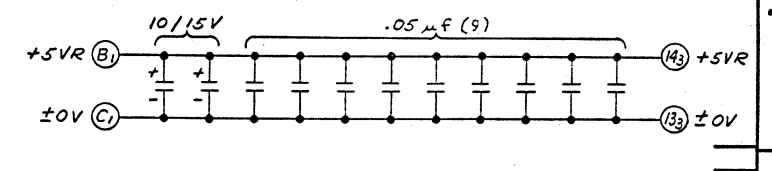
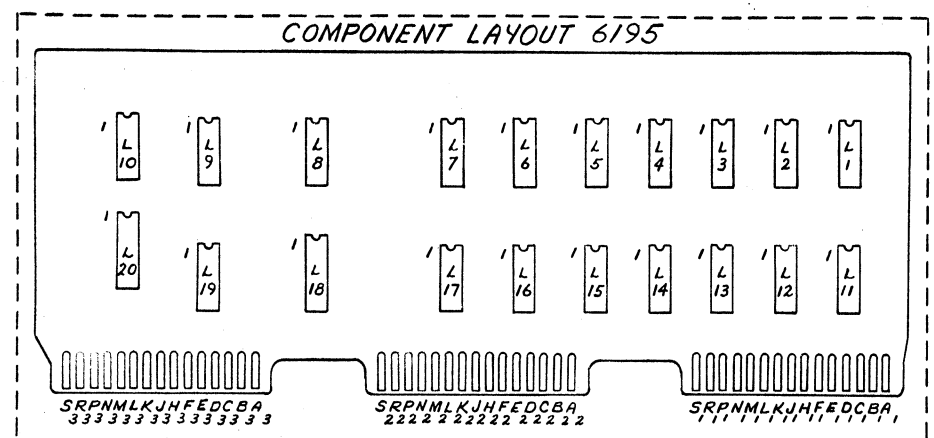
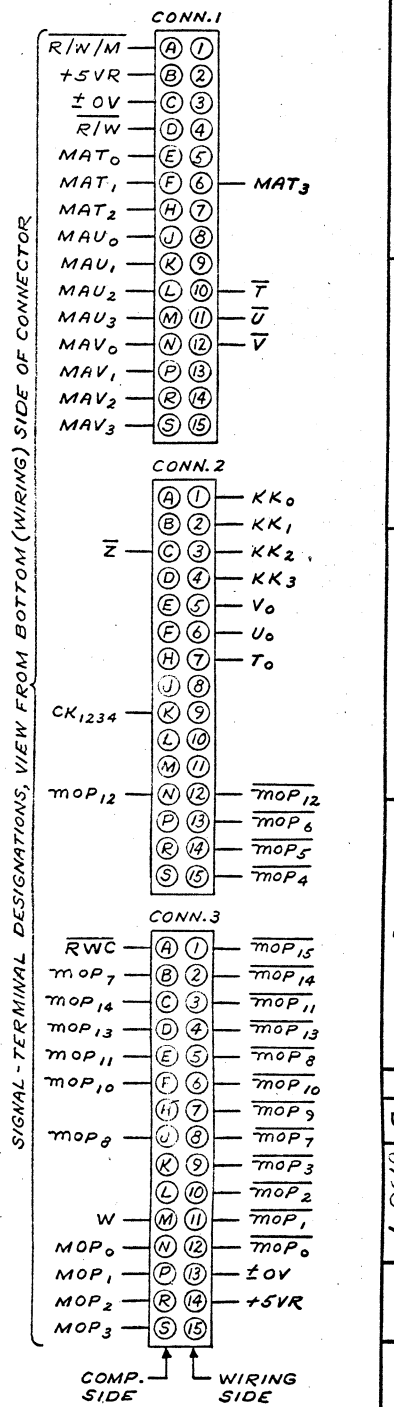


DO NOT SCALE



I.C. LOCATION	TYPE	W.L. NO.	TERM FOR ±0V	TERM FOR VCC +5VR	QTY.
L9	SN7402N	376-0016	7	14	1
L3,5,7,8,16	SN7404N	376-0010	7	14	5
L10,19	SN7410N	376-0003	7	14	2
L18,20	SN7442N	376-0008	8	16	2
L1,17	SN7451N	376-0012	7	14	2
L2,4,6	SN7495N	376-0059	7	14	3
L11,12,13,14,15	F9946	376-0023	7	14	5

NOTE: ALL RESISTORS ARE 1/4W UNLESS OTHERWISE SPECIFIED.



NO.	REVISION

TOL. EX. AS NOTED		IDENT QTY		NAME		MATERIAL		DESCRIPTION	
.XX ±.010	ANG. 20° 30'			DR F.S.S.		DATE 1-5-72			
.XX ±.003	FRAC. 21/64			CHK		DATE			
FINISH				APPD		DATE 1-6-72			
MATERIAL		MODEL No. 520/600		W.O. No.		SCALE		SHEET OF	
FINISH									
TITLE SCHEMATIC LOGIBLOC * 6195-1				R.A.M. ADDRESS		D		6195-1	
PART NUMBER				REV SIZE		DRAWING NUMBER			

D 6195-1