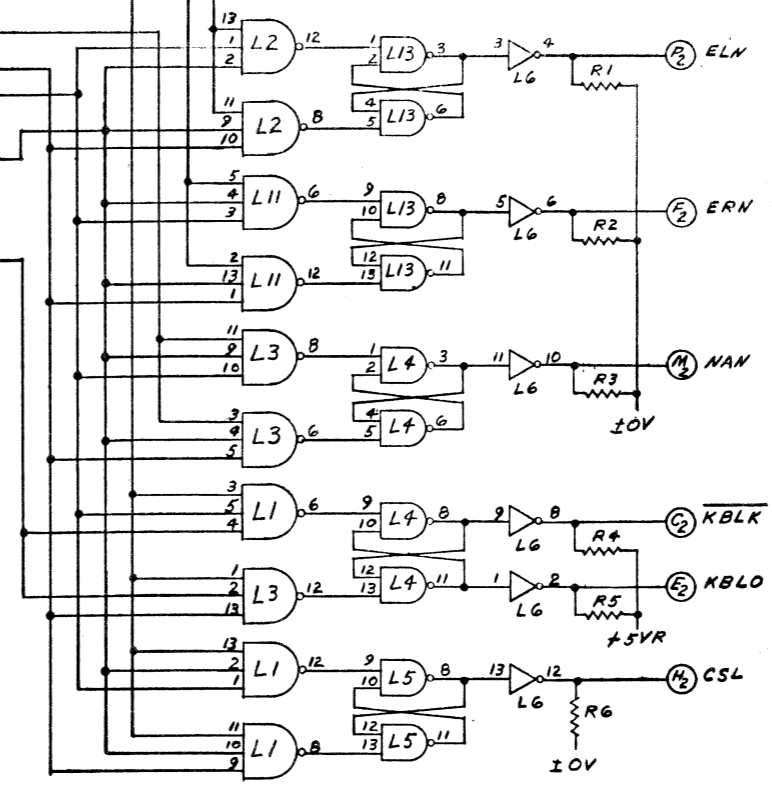
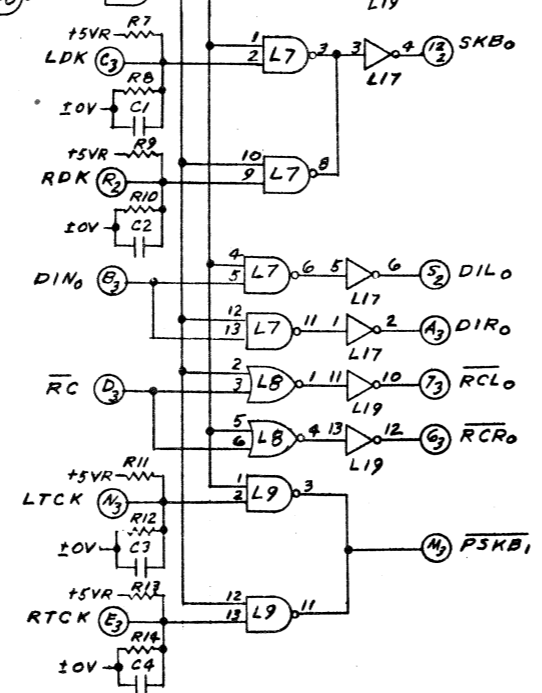
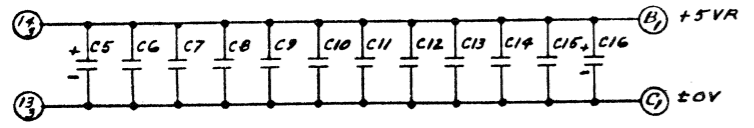
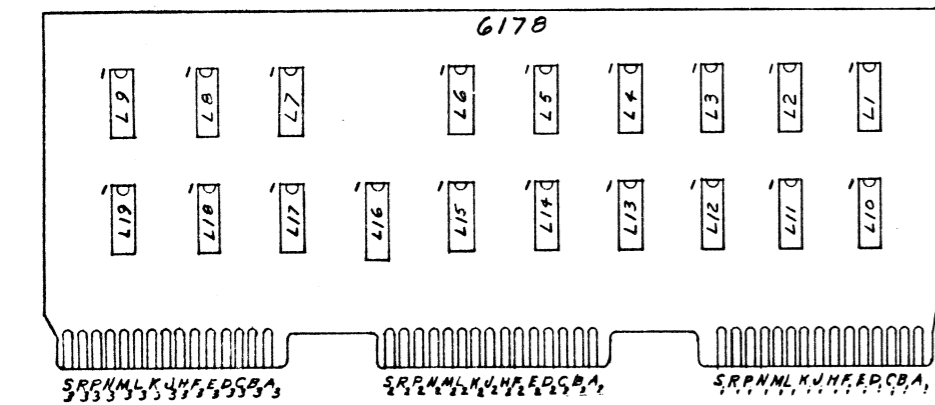
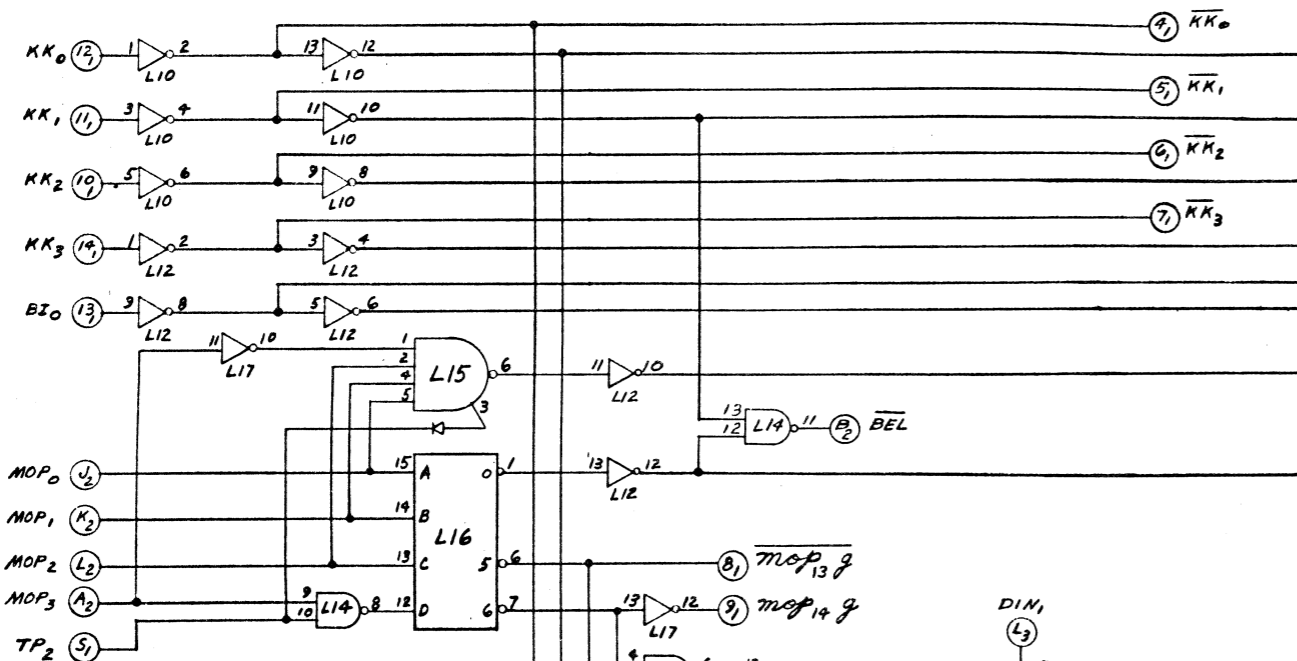


DO NOT SCALE

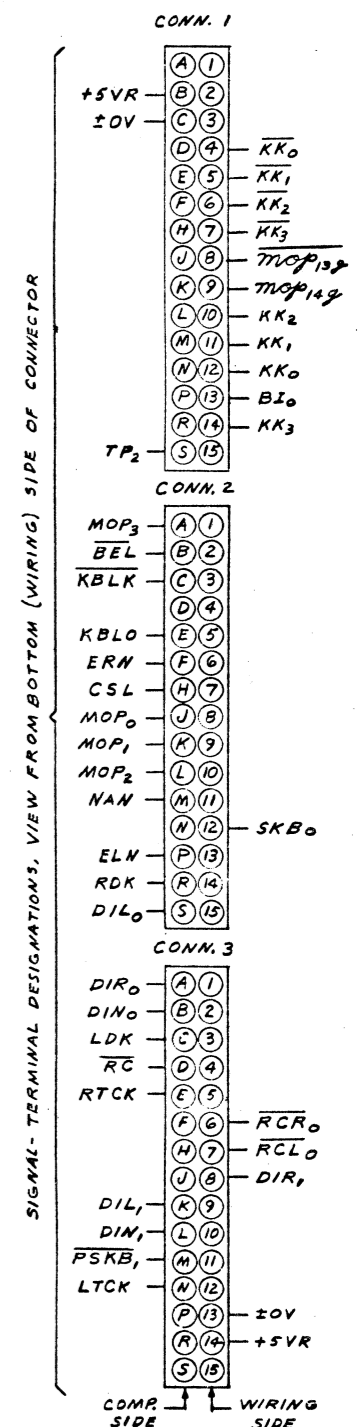
G
F
E
D
C
B
A

G
F
E
D
C
B
A



LOCATION	TYPE	W.L. PART No.	TERM. No. Vcc +5VR	TERM. No. ±0V	QTY
L4,2,3,11	SN7410N	376-0003	14	7	4
L4,5,13,18	SN7400N	376-0002	14	7	4
L10,12	SN7404N	376-0010	14	7	2
L7,9,14	9946	376-0023	14	7	3
LB	SN7402N	376-0016	14	7	1
L15	9930	376-0022	14	7	1
L16	SN7442N	376-0008	16	8	1
L17,19	9936	376-0026	14	7	2
L6	SN7406N	376-0055	14	7	1

COMP.	SIZE / TYPE	W.L. PART No.	QTY
R1,2,3,4,5,6	1K 1/4W	330-3010	6
R7,9,14,13	3.9K 1/4W	330-3039	4
R8,10,12,14	47K 1/4W	330-4047	4
C1,2,3,4	47PF	330-1047	4
C5,16	10.4X 16VDC	300-3006	2
C6,7,8,9,10,16,12,13,14,15	.024X	300-1904	10



REV.	DATE	BY	CHKD.

WANG LABORATORIES INC.
TEWKSBURY, MASS.

MODEL NO. 1200 DRAWN 11/16/71 APP. 3/17/72
CHECKED APP.

TITLE SCHEMATIC LOGIBLOC # 617B TAPE INPUT CONTROL

SHT OF DWG. NO. D 617B-1 REV.