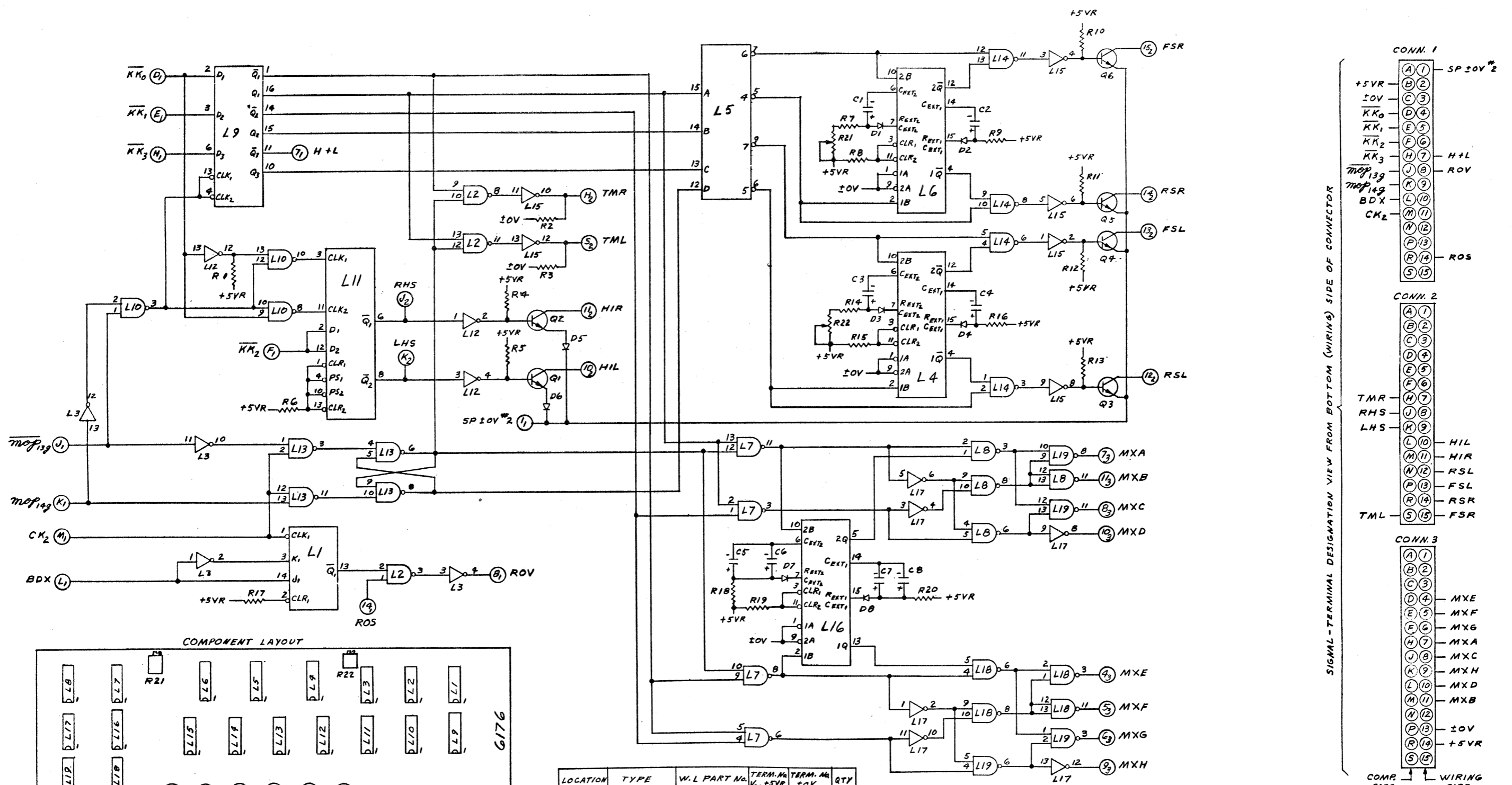
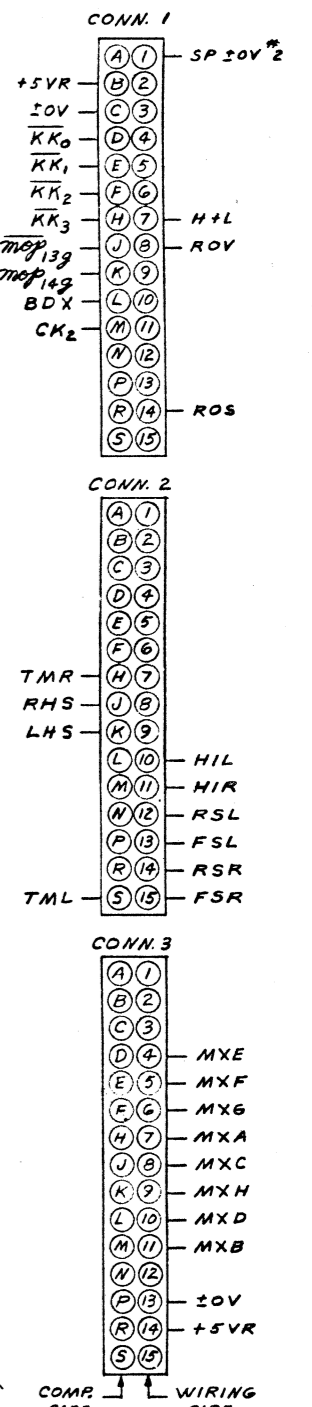


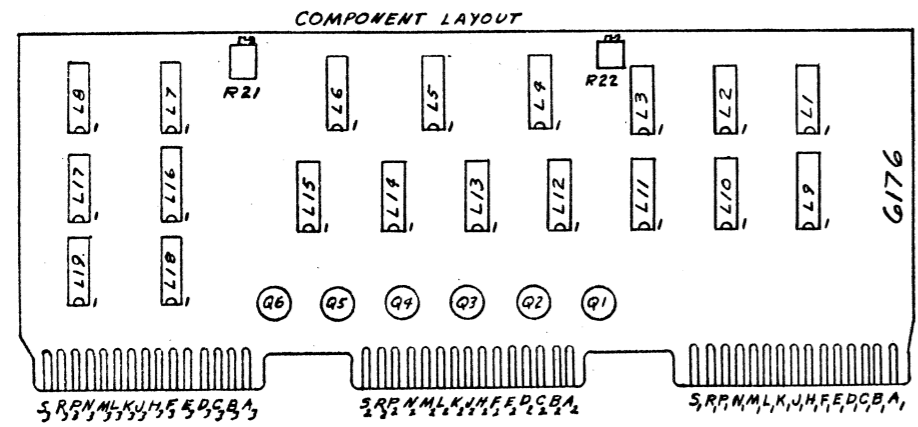
G
F
E
D
C
B
A



SIGNAL-TERMINAL DESIGNATION VIEW FROM BOTTOM (WIRING) SIDE OF CONNECTOR



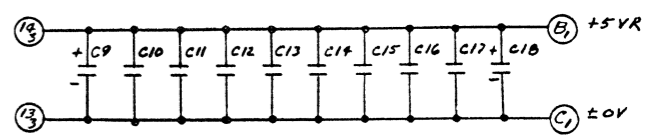
G
F
E
D
C
B
A



LOCATION	TYPE	W.L. PART No.	TERM. No. 1/2 +5VR	TERM. No. 10V	QTY
L1	SN7473N	376-0005	4	11	1
L2, 7, 8, 10, 13, 14, 18, 19	SN7400N	376-0002	14	7	8
L3, 17	SN7404N	376-0010	14	7	2
L4, 6, 16	SN74123N	376-0080	16	8	3
L5	SN7442N	376-0008	16	8	1
L9	SN7475N	376-0013	5	12	1
L11	SN7474N	376-0006	14	7	1
L12	SN7406N	376-0055	14	7	1
L15	SN7407N	376-0056	14	7	1

COMP.	SIZE/TYPE	W.L. PART No.	QTY
R1, 2, 3, 6, 8, 15, 17, 19	1K 1/4W	380-3010	1
R4, 5	390-2 1/4W	330-2039	2
R7, 14	6.8K 1/4W	330-3068	2
R9, 16, 20	10K 1/4W	330-4010	4
R10, 11, 12, 13	470-Ω 1/4W	330-2047	4
C1, 2, 3, 4	5.6M 5% TANT	300-4017	4
C5, 7	33-4.5% TANT	300-4019	2
C6, 8	2.2M 5% TANT	300-4014	2
C9, 18	10-4F 16VDC	300-3006	2
C10, 12, 13, 16, 15, 16, 17	.02 MF	300-1904	8
D1, 2, 3, 7, 8	514 DIODE	380-1001	6
D5, 6	EM403	380-4000	2
Q1, 2, 3, 5, 6	2N3725	375-1027	6

COMP.	SIZE/TYPE	W.L. PART No.	QTY
R21, 22	10K POT	336-1010	2



REV.	DESCRIPTION
1	PER ECN 8884 R3 AND R19 WAS 10K. ADDED 10K POT IN SERIES WITH R1. ADDED R21, R22 IN SERIES WITH R16. APP: S.K.H.O

WANG LABORATORIES INC.
TEWKSBURY, MASS.

MODEL NO. 1200 DRAWN 2/14/71 APP. 3/11/71

CHECKED APP. 3/11/71

TITLE SCHEMATIC LOGIBLOC #6176 TAPE OUTPUT AND MODE M CONTROL

SHT. OF DWG. NO. 6176-1 REV. 1