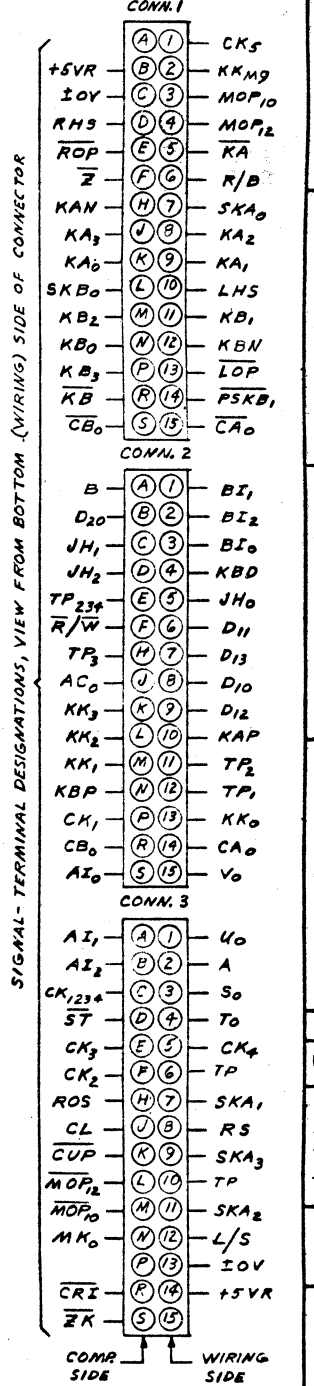
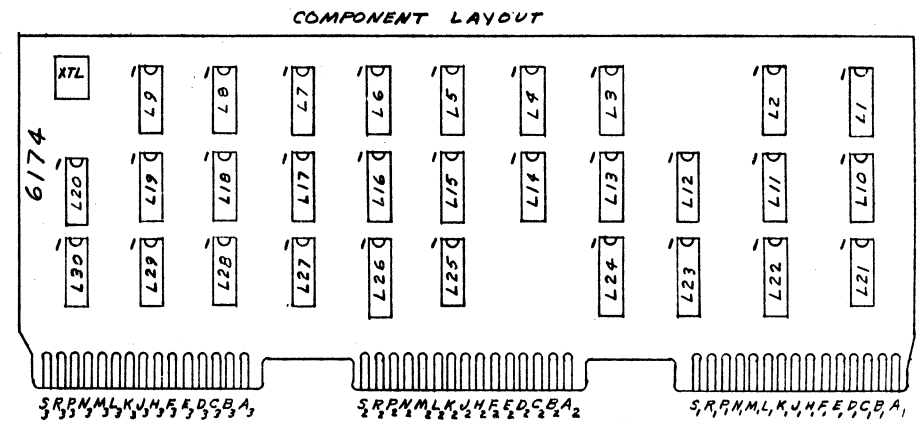


LOCATION	TYPE	WANG PART No.	TERM. No. Vcc +5V	TERM. No. 10V	QTY
L1, 16	SN7440N	376-0009	14	7	2
L2, 3, 13, 15, 27, 30	SN7404N	376-0010	14	7	6
L4, 6, 7, 17	SN7410N	376-0003	14	7	4
L5, 19, 20, 21, 28	SN7400N	376-0002	14	7	5
L8, 9, 18, 29	SN7473N	376-0005	4	11	4
L10, 11, 12	SN7451N	376-0012	14	7	3
L14, 25	MC846	376-0023	14	7	2
L22, 23	SN7494N	376-0064	12	5	2
L24, 26	SN74151N	376-0047	16	8	2

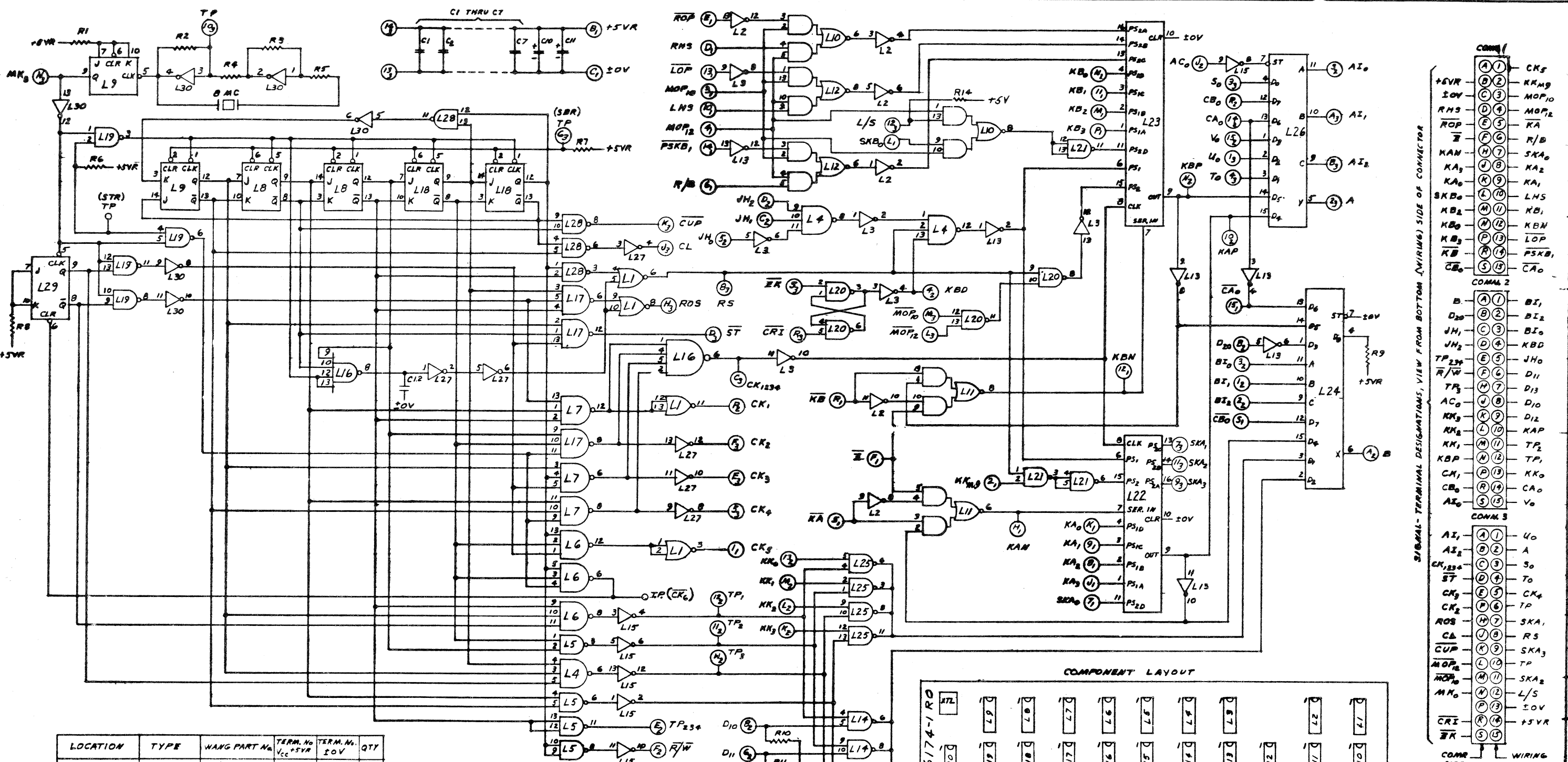
COMP.	SIZE/TYPE	WANG PART No.	QTY
R1, 6, 7, 8, 10, 11, 12, 13	10K 1/4W	330-4010	8
R2	1.8K 1/4W	330-3018	1
R3	180Ω 1/4W	330-2018	1
R4, 5	220Ω 1/4W	330-2022	2
R9	1K 1/4W	330-3010	1
CI THRU C9	.05μF	300-1900	9
C10, 11	10μF 16VDC	300-3006	2
XTAL	8MC	321-0008	1



IDENT	QTY	NAME	MATERIAL	DESCRIPTION
<p>TOL. EX. AS NOTED .XX ±.010 ANG. ±0°30' .XXX ±.005 PRAC. ±1/64 FINISH</p>				
WANG LABORATORIES, INC. TEWKSBURY, MASS. U. S. A.		DR: <i>DB</i> DATE: 7/2/71	CHK: DATE:	APPD: <i>DBP</i> DATE: 3/17/72
MODEL No. 1200		W.O. No.	SCALE: <i>1/4"</i>	SHEET OF
TITLE: SCHEMATIC LOGIBLOC, TIMING KA KB REGISTERS #6174				
PART NUMBER		REV:	SIZE:	DRAWING NUMBER:

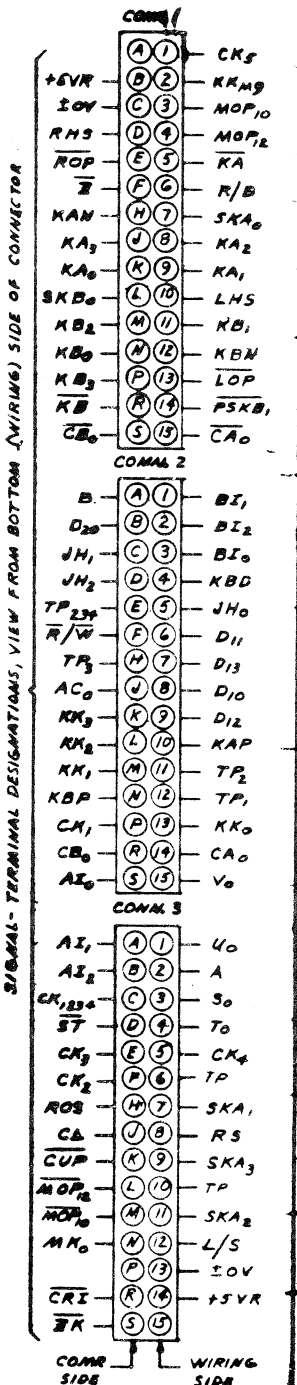
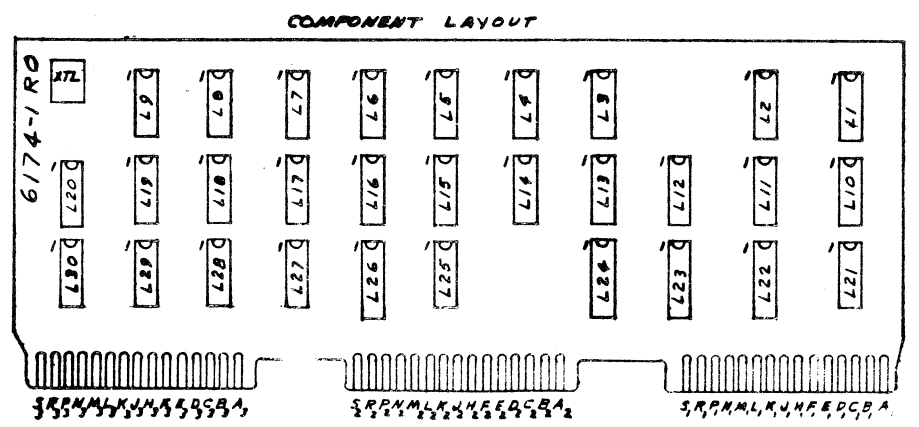
REVISION

D 6174-1



LOCATION	TYPE	WANG PART No.	TERM. No. Vcc +5VR	TERM. No. 10V	QTY
L16	SN7440N	376-0009	14	7	1
L2, 3, 13, 15, 27, 30	SN7404N	376-0010	14	7	6
L4, 6, 7, 17	SN7410N	376-0003	14	7	4
L5, 19, 20, 21, 28	SN7400N	376-0002	14	7	5
L8, 9, 18, 29	SN7473N	376-0005	4	11	4
L10, 16, 12	SN7451N	376-0012	14	7	3
L14, 25	MCB46	376-0023	14	7	2
L22, 23	SN7494N	376-0064	12	5	2
L24, 26	SN74151N	376-0047	16	8	2
L1	SN7437N	376-0068	14	7	1

COMP.	SIZE/TYPE	WANG PART No.	QTY
R1, 6, 7, 8, 10-14	10K 1/4W	330-4010	9
R2	1.0K 1/4W	330-3018	1
R3	180.2 1/4W	330-2018	1
R4, 5	220.2 1/4W	330-2022	2
R9	1K 1/4W	330-3010	1
C1 THRU C7	.05-4F	300-1900	7
C10, 11	15-4F20VDC	300-1022	2
XTAL	8MC	321-0009	1
C12	150PFCCA	300-1150	1



REV.	DATE	BY	CHKD.
1	1-13-75	G.D.	
2	4-11-77	REVISION	

WANG LAB. AS NOTED	DATE 2-2-77
DESIGNED BY	DATE 4-7-75
CHECKED BY	DATE 7/1/75
APPROVED BY	
MODEL No. 1220	SCALE 47
WIRE	SHEET OF
SCHEMATIC LOGICLOC, TIMING KA KB REGISTERS 6174-1	
210-6174-1	6174-1
PART NUMBER	DRAWING NUMBER

Sheet 4 of 6