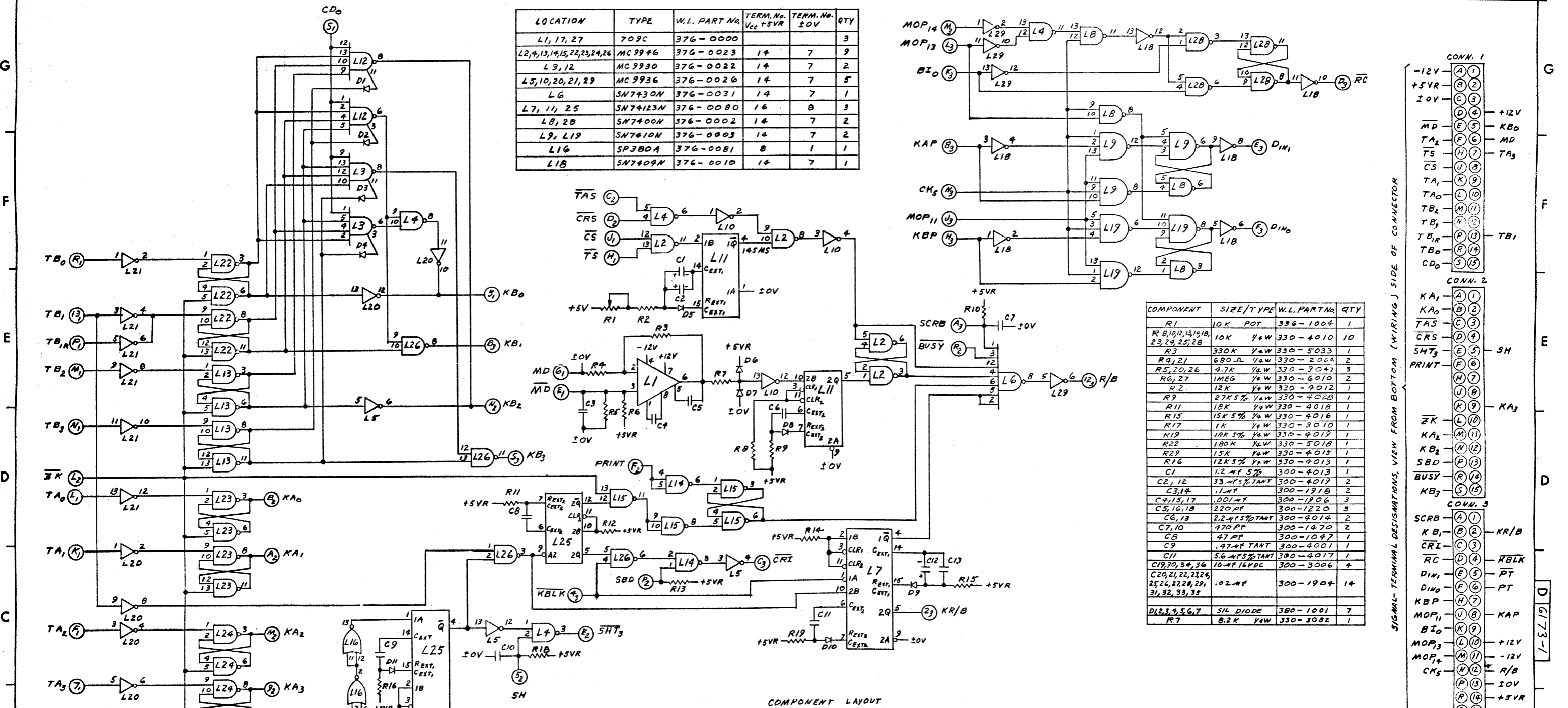
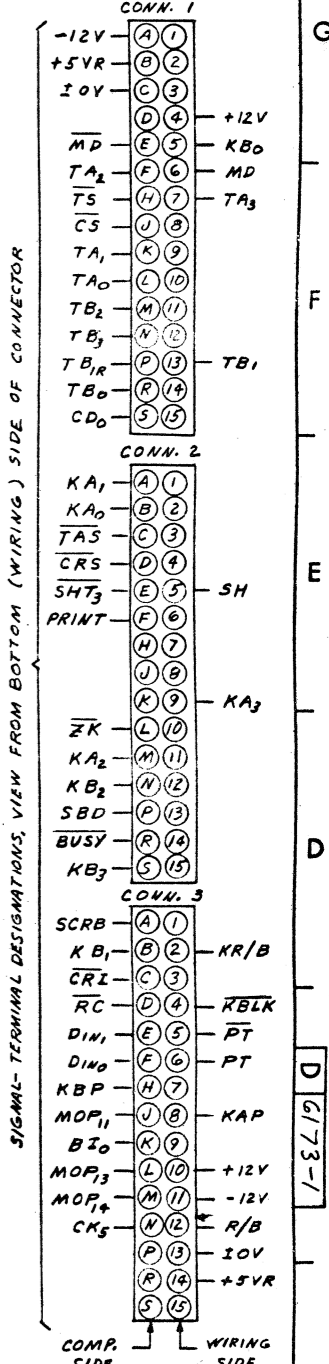
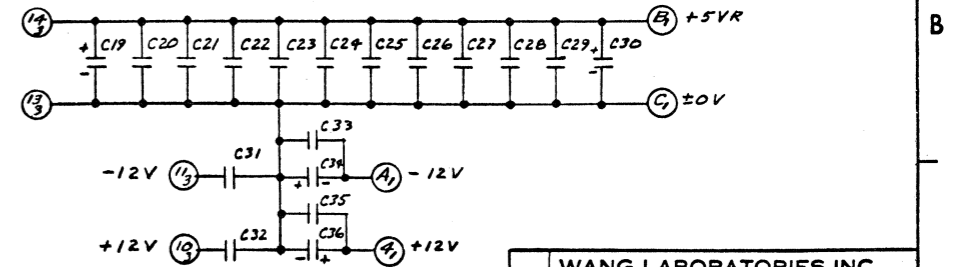
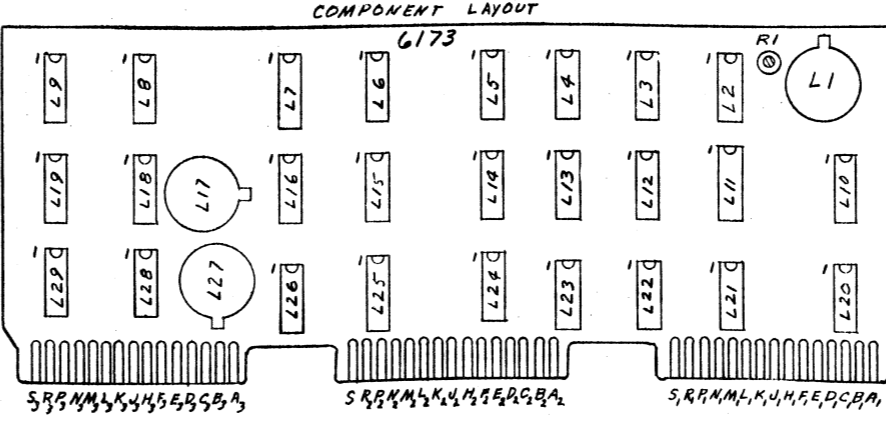


LOCATION	TYPE	W.L. PART No.	TERM. No. V <sub>CC</sub> +5V <sub>R</sub>	TERM. No. ±0V	QTY
L1, 17, 27	709C	376-0000			3
L2, 4, 13, 14, 15, 22, 23, 24, 26	MC 9946	376-0023	14	7	9
L3, 12	MC 9930	376-0022	14	7	2
L5, 10, 20, 21, 29	MC 9936	376-0026	14	7	5
L6	SN7430N	376-0031	14	7	1
L7, 11, 25	SN74123N	376-0080	16	8	3
L8, 28	SN7400N	376-0002	14	7	2
L9, L19	SN7410N	376-0003	14	7	2
L16	SP380A	376-0081	8	1	1
L18	SN7409N	376-0010	14	7	1



COMPONENT	SIZE/TYPE	W.L. PART No.	QTY
R1	10K POT	336-1004	1
R2, 10, 12, 13, 14, 18, 23, 29, 25, 28	10K 1/4W	330-4010	10
R3	330K 1/4W	330-5033	1
R4, 21	680-Ω 1/4W	330-2064	2
R5, 20, 26	4.7K 1/4W	330-3047	3
R6, 27	1MEG 1/4W	330-6010	2
R7	12K 1/4W	330-4012	1
R9	27K 5% 1/4W	330-4028	1
R11	18K 1/4W	330-4018	1
R15	15K 5% 1/4W	330-4016	1
R17	1K 1/4W	330-3010	1
R19	18K 5% 1/4W	330-4019	1
R22	180K 1/4W	330-5018	1
R29	15K 1/4W	330-4015	1
R16	12K 5% 1/4W	330-4013	1
C1	1.2M 5%	300-4013	1
C2, 12	33M 5% TANT	300-4019	2
C3, 14	.1M	300-1918	2
C4, 15, 17	.001M	300-1906	3
C5, 16, 18	220PF	300-1220	3
C6, 13	2.2M 5% TANT	300-4014	2
C7, 10	470PF	300-1470	2
C8	47PF	300-1047	1
C9	.47M TANT	300-4001	1
C11	5.6M 5% TANT	300-4017	1
C19, 30, 34, 36, 25, 26, 27, 28, 29, 31, 32, 33, 35	10M 16VDC	300-3006	4
D1, 2, 3, 5, 6, 7	514 DIODE	380-1001	7
R7	8.2K 1/4W	330-3082	1



REVISION	BY	DATE
1	PER ECN # 2987 R1 WAS 5K POT CONNECT PIN 11 TO 3 OF L11. APP SKM	5/20/72
2	PER ECN # 3175 R1 WAS 12K APP. D SKM	8-23-72

WANG LABORATORIES INC.  
TEWKSBURY, MASS.

MODEL NO. 1200  
DRAWN BY: [Signature] 7/15/72  
CHECKED BY: [Signature] 8/10/72

TITLE SCHEMATIC LOGIBLOC # 6173  
KA KB CODE CONVERTER

SHT OF DWG. NO. 6173-1