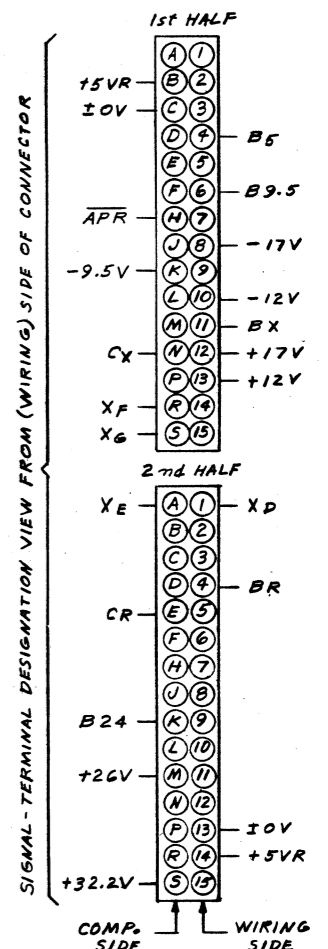
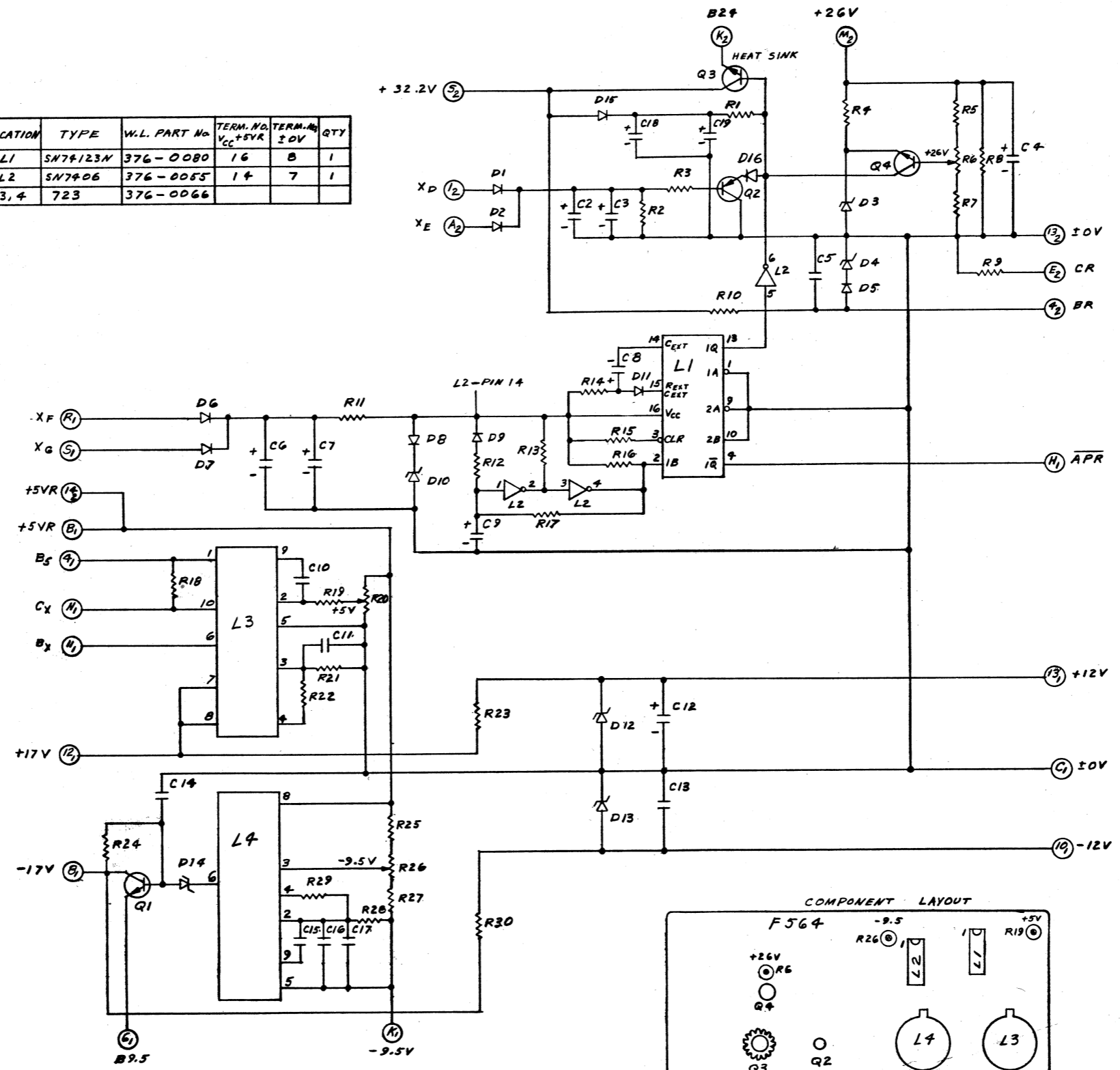


COMP.	SIZE/TYPE	W.L. PART No.	QTY
R1	1.5K 1/4W	330-3015	1
R2,14	18K 1/4W	330-4016	2
R3	2.2K 1/2W	331-3022	1
R4	33K 1/4W	330-4033	1
R5,7,21	4.7K 1/4W	330-3047	3
R6,20,26	1K POT	336-0003	3
R8	1K 1W	332-5010	1
R9,13,15,16	10K 1/4W	330-4010	4
R10	560Ω 1W	332-2056	1
R11	100Ω 2W	337-2010	1
R12	100Ω 1/4W	330-2010	1
R18	1Ω 1/2W	331-0010	1
R19	470Ω 1/4W	330-2047	1
R22	2.7K 1/4W	330-3027	1
R23	100Ω 1/2W	331-2010	1
R24	560Ω 1/4W	330-2056	1
R27	1K 1/4W	330-3010	1
R25,28,29	3.3K 1/4W	330-3033	3
R30	100Ω 1W	332-2010	1
R17	6.8 1/4W	330-3068	1
C10	.0068μF	300-1911	1
C2,3	1.2μF 50VDC	300-4030	2
C4,6,7	50μF 50VDC	300-3010	3
C5	.02μF 25V	300-1904	1
C8	18μF 16V TANT	300-4018	1
C9	1μF 35V TANT	300-4009	1
C11,16,17	.05	300-1900	3
C12,13	100μF 25VDC	300-3033	2
C14,15	.01μF	300-1903	2
C18,19	100μF 50VDC	300-3052	1
D1,2,6,7,8	EM903	380-4000	5
D3,9,12,13	1N4742 12V	380-2121	4
D5,8,9,11	SIL. DIODE	380-1004	4
D10,14	1N749A 4.2V	380-2042	4
D16	SIL. DIODE	380-1004	1
Q1,2	6T54A	375-1017	2
Q3,4	2N723	375-1027	2

LOCATION	TYPE	W.L. PART No.	TERM. NO. V _{CC} +5V _R	TERM. NO. ±0V	QTY
L1	SN74123N	376-0080	16	B	1
L2	SN7406	376-0055	14	7	1
L3,4	723	376-0066			



REV.	DATE	BY	DESCRIPTION
1	3/21/72	AP	PER ECH 300 B DELETED 1.2μF 35VDC REPLACED BY 1.2μF 50VDC APP'D: SKH
2	3/21/72	AP	PER ECH 2932 R23 WAS 4.7K APP'D: SKH
3	5-15-72	AP	PER ECH 2965 R2 WAS 4.7K ADDED D15 380-1004 APP'D: SKH
4	3/21/72	AP	PER ECH 300 B C25C3 WAS 1.2μF 35VDC APP'D: SKH
5	3/21/72	AP	REVISED PER E.C. # 3611 APP'D: SKH

WANG LABORATORIES INC.			
TEWKSBURY, MASS.			
MODEL NO. 1200	DRAWN 2/5/72	APP'D 3/12/72	REV 5
CHECKED	APP.		
TITLE SCHEMATIC LOGIBLOC F564 POWER SUPPLY			
SHT 1 OF 1	DWG. NO. D 6164-1		