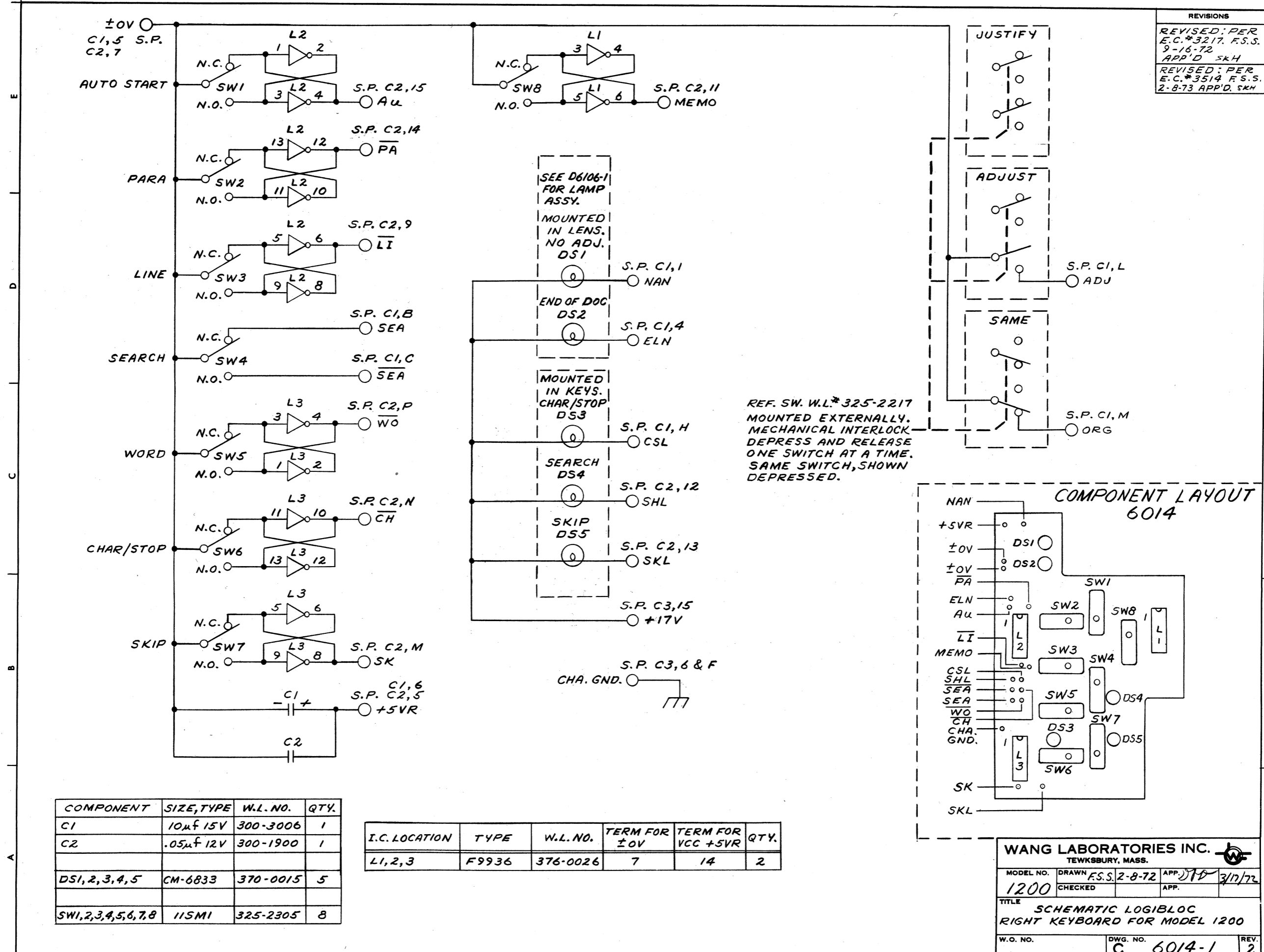
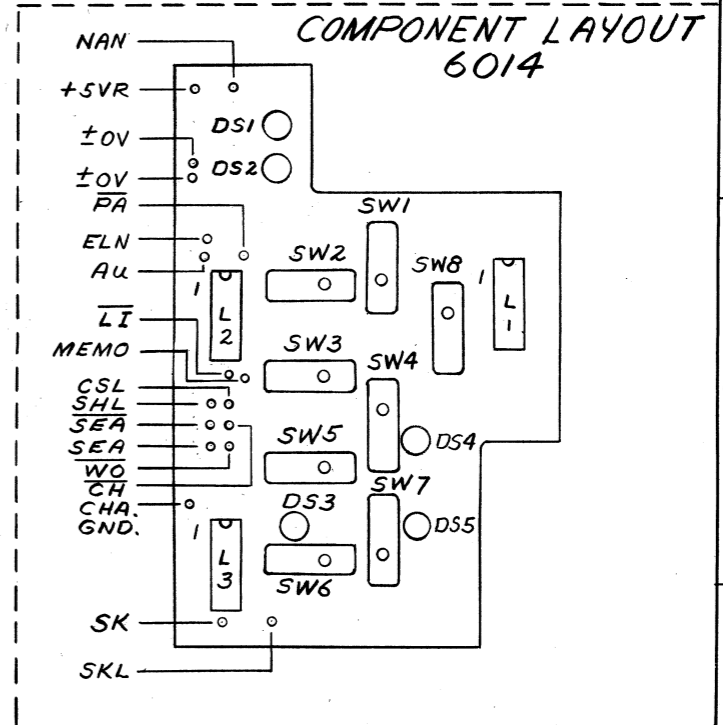


REVISIONS	
REVISED: PER	E.C.*3217, F.S.S.
	9-16-72
	APP'D SKH
REVISED: PER	E.C.*3514 F.S.S.
	2-8-73 APP'D SKH



REF. SW. W.L.\*325-2217  
MOUNTED EXTERNALLY.  
MECHANICAL INTERLOCK.  
DEPRESS AND RELEASE  
ONE SWITCH AT A TIME.  
SAME SWITCH, SHOWN  
DEPRESSED.



COMPONENT	SIZE, TYPE	W.L. NO.	QTY.
C1	10μF 15V	300-3006	1
C2	.05μF 12V	300-1900	1
DS1, 2, 3, 4, 5	CM-6833	370-0015	5
SW1, 2, 3, 4, 5, 6, 7, 8	11SM1	325-2305	8

I.C. LOCATION	TYPE	W.L. NO.	TERM FOR ±0V	TERM FOR VCC +5VR	QTY.
L1, 2, 3	F9936	376-0026	7	14	2

**WANG LABORATORIES INC.**  
TEWKSBURY, MASS.

MODEL NO.	DRAWN	F.S.S. 2-8-72	APP'D	3/17/72
1200	CHECKED		APP.	
TITLE SCHEMATIC LOGIBLOC RIGHT KEYBOARD FOR MODEL 1200				
W.O. NO.	DWG. NO.	6014-1	REV.	2