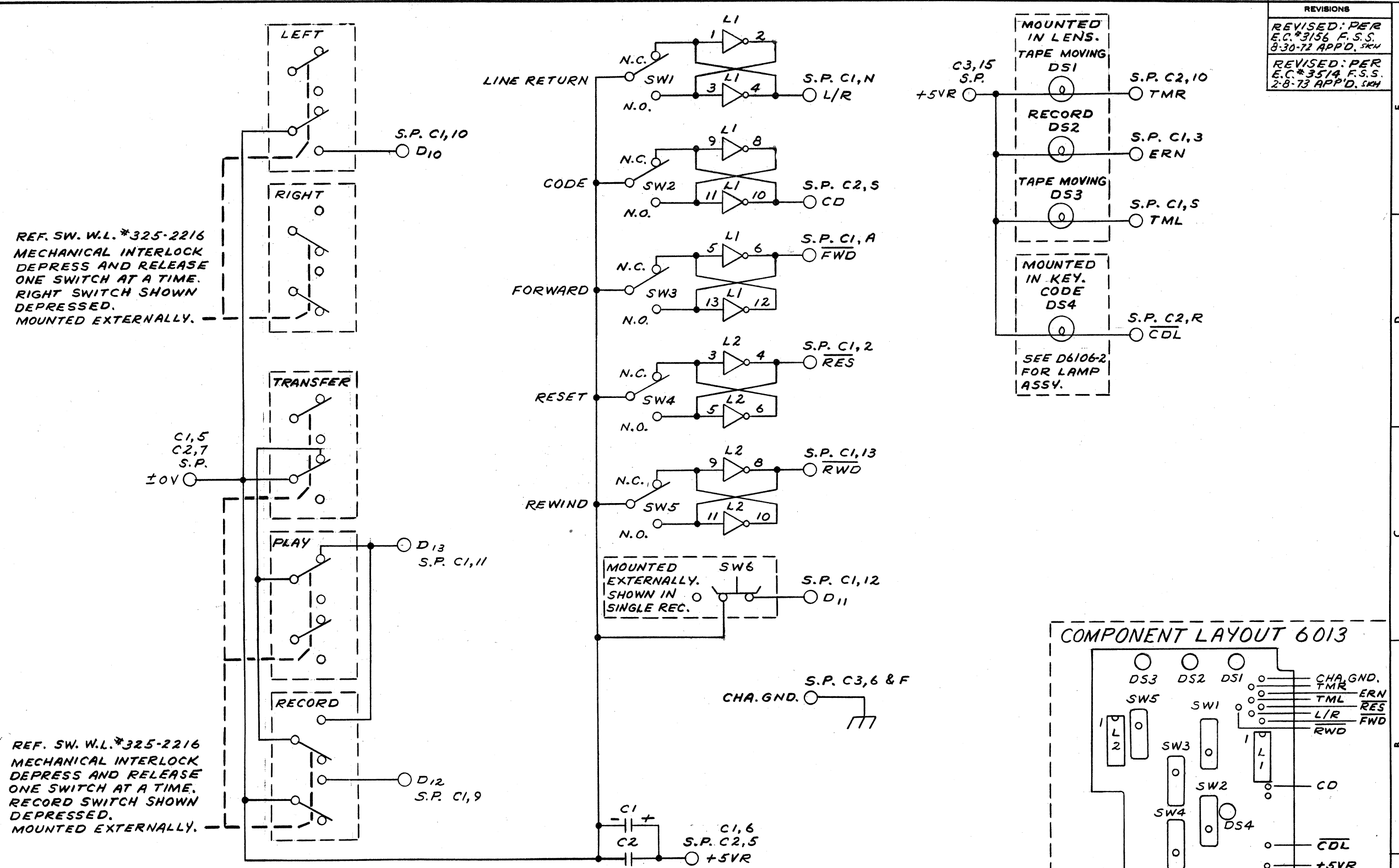


REVISIONS
REVISED PER E.C.*3156 F.S.S. 8-30-72 APP'D. SKH
REVISED PER E.C.*3514 F.S.S. 2-8-73 APP'D. SKH

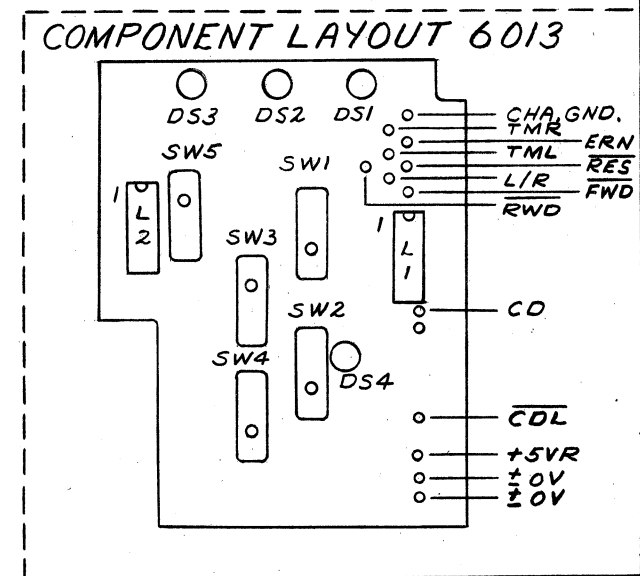


REF. SW. W.L. *325-2216
MECHANICAL INTERLOCK
DEPRESS AND RELEASE
ONE SWITCH AT A TIME.
RIGHT SWITCH SHOWN
DEPRESSED.
MOUNTED EXTERNALLY.

REF. SW. W.L. *325-2216
MECHANICAL INTERLOCK
DEPRESS AND RELEASE
ONE SWITCH AT A TIME.
RECORD SWITCH SHOWN
DEPRESSED.
MOUNTED EXTERNALLY.

COMPONENT	SIZE, TYPE	W.L. NO.	QTY.
C1	10 μ F 15V	300-3006	1
C2	.05 μ F 12V	300-1900	1
DS1,2,3,4	CM-6833	370-0015	4
SW1,2,3,4,5	11SM1	325-2305	5
SW6	SLIDE SW.	325-2108	1

I.C. LOCATION	TYPE	W.L. NO.	TERM FOR $\pm 0V$	TERM FOR VCC +5VR	QTY.
L1,2	F9936	376-0026	7	14	2



WANG LABORATORIES INC.
TEWKSBURY, MASS.

MODEL NO. 1200	DRAWN F.S.S. 2-10-72	APP'D. 3/11/72
CHECKED	APP.	

TITLE
**SCHEMATIC LOGIBLOC
LEFT KEYBOARD FOR MODEL 1200**

W.O. NO.	DWG. NO. C 6013-1	REV. 2
----------	-----------------------------	------------------

1-E109 ON DWG